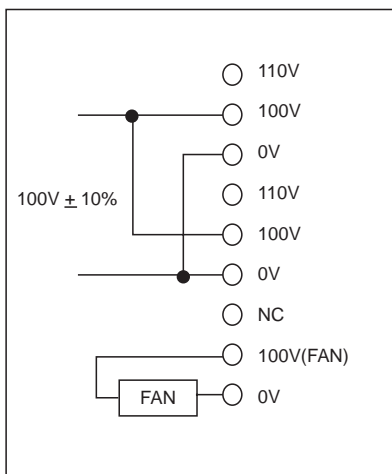


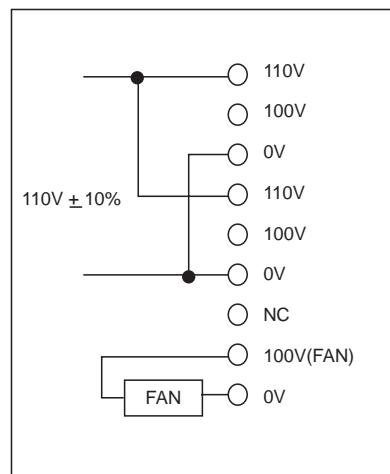
4.9.2 PR-300

To select other input voltages, change the transformer taps setting according to ship's mains. The input voltage is adjustable for 100/110/120/200/220/240 VAC, and is factory-set or 220 VAC. Change the power fuse to AC input voltage as follows.

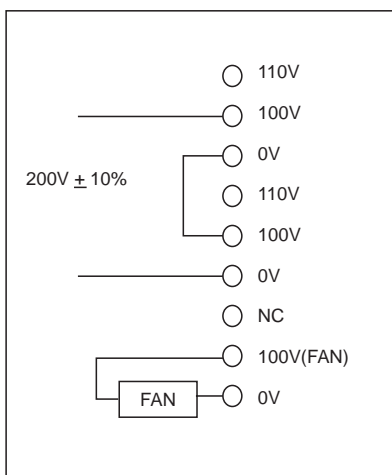
- 100/110 VAC : 10 A fuse
- 200/220 VAC : 5 A fuse



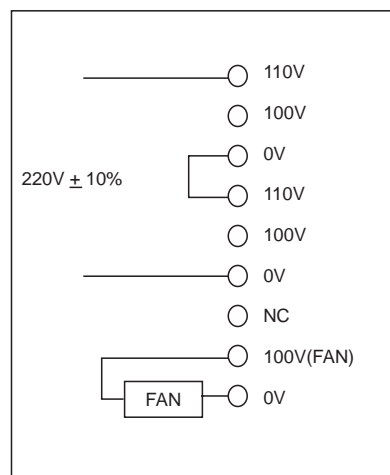
100 VAC SHIP'S MAINS



110 VAC SHIP'S MAINS



200 VAC SHIP'S MAINS



220 VAC SHIP'S MAIN

Specification of PR-300 power supply

7.5 A Continuous, peak current is 20 A.

AC input current is less than 4.1 A at 100VAC input

2.10.2 PR-300

