

SPECIFICATIONS OF FCV-620

FURUNO®

FURUNO®

GENERAL

Frequency 50 and 200 kHz
Output Power 600 W

DISPLAY

Display Type 5.6" color LCD
Effective Display Area 84.7 (W) x 113.3 (H) mm
Pixel Number 240 x 320
Display Mode Single frequency (high/low freq.), Dual-frequency, Zoom, Nav data-1/2, A-scope, Marker zoom, Bottom zoom, Bottom-lock

Basic Range* 2-800 m
*m, ft, fa, p/b is selectable in the menu

Range Phasing up to 800 m

Expansion Range 2-800 m (Sectional expansion)
3-10 m (Bottom-lock expansion)

Picture Advance Speed 8 steps: stop, 1/16, 1/8, 1/4, 1/2, 1/1, (IEC61162, NMEA0183) 2/1, 4/1

Pulselength & PRR 0.1-3 ms, Max 3,000 pulse/min

Interface RMA, RMB, RMC, BWC, GLL, GGA, MWV, VTG, VHW, MTW, XTE, MDA, HDT, HDG
RMA*, RMB*, RMC*, BWC*, GLL*, GGA*, MWV*, VTG*, VHW*, MTW*, XTE*, MDA*, HDT*, DBT, DPT, MTW**, VHW**, TLL*, HDG*

* : GPS sensor required;

** : Speed/temperature sensor is required.

ENVIRONMENT

Temperature -15°C to +50°C
Waterproofing IEC IP55

POWER SUPPLY 12-24 VDC: 0.8-0.4 A

EQUIPMENT LIST

Standard

1. Display Unit FCV-620 1 unit
2. Installation Materials and Standard Spare Parts 1 set

Option

1. Speed/Temperature Sensor
ST-02MSB (Thru-hull, bronze), ST-02PSB (Thru-hull, plastic),
T-02MTB (Transom, bronze), T-02MSB (Thru-hull, bronze),
T-03MSB (Thru-hull, bronze)
2. Connector Kit for Connection of Speed & Temperature Sensor or Temperature Sensor

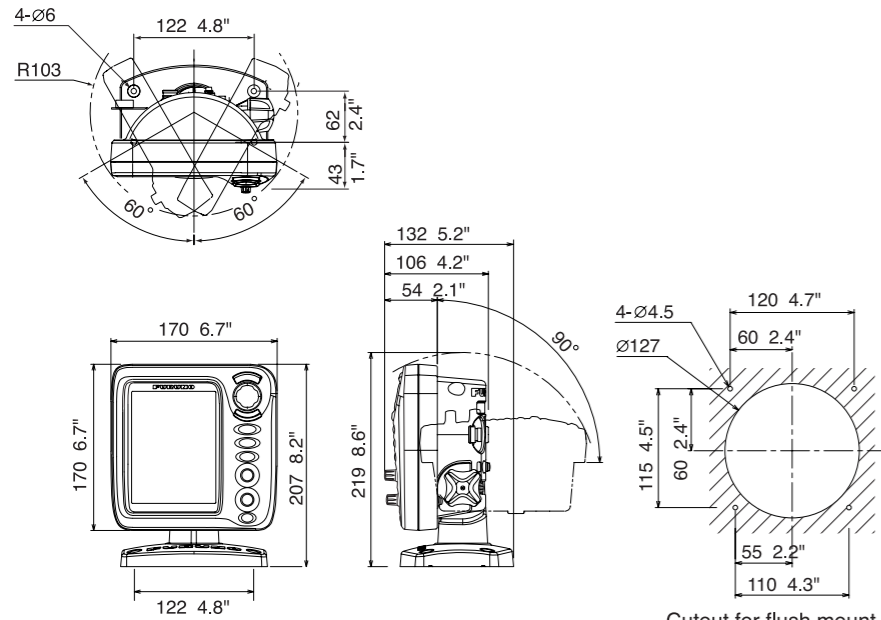
Transducers (Specify when ordering)

600 W

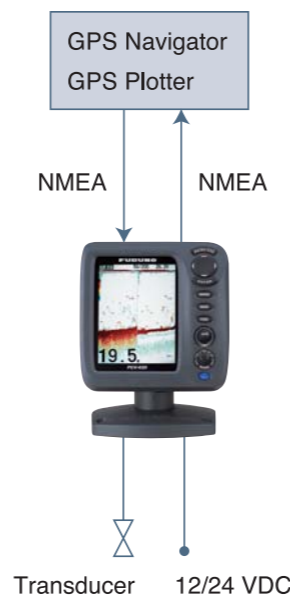
- 520-5PSD (Plastic thru-hull), 520-5MSD (Bronze thru-hull),
525-5PWD (Plastic transom), 525ST-MSD (Bronze thru-hull with
a speed/temp sensor), 525ST-PWD (Plastic transom with
a speed/temp sensor)

DISPLAY UNIT

Bracket Mount 1.2 kg 2.7 lb
Flush Mount 0.8 kg 1.8 lb



INTERCONNECTION DIAGRAM



SPECIFICATIONS SUBJECT TO CHANGE WITHOUT NOTICE

FCV-620 ECHO SOUNDER



Newly employed digital filter technology
presents high definition echo
presentation of fish targets!

FURUNO U.S.A., INC.
Camas, Washington, U.S.A.
Phone: +1 360-834-9300
Fax: +1 360-834-9400

FURUNO (UK) LIMITED
Havant, Hampshire, U.K.
Phone: +44 2392-441000
Fax: +44 2392-484316

FURUNO FRANCE S.A.
Bordeaux-Mérignac, France
Phone: +33 5 56 13 48 00
Fax: +33 5 56 13 48 01

FURUNO ESPAÑA S.A.
Madrid, Spain
Phone: +34 91-725-90-88
Fax: +34 91-725-98-97

FURUNO DANMARK A/S
Hvidovre, Denmark
Phone: +45 36 77 45 00
Fax: +45 36 77 45 01

FURUNO NORGE A/S
Ålesund, Norway
Phone: +47 70 102950
Fax: +47 70 102951

FURUNO SVERIGE AB
Västra Frölunda, Sweden
Phone: +46 31-7098940
Fax: +46 31-497093

FURUNO FINLAND OY
Espoo, Finland
Phone: +358 9 4355 670
Fax: +358 9 4355 6710

FURUNO POLSKA Sp. z o.o.
Gdynia, Poland
Phone: +48 58 669 02 20
Fax: +48 58 669 02 21

FURUNO DEUTSCHLAND GmbH
Rellingen, Germany
Phone: +49 4101 838 0
Fax: +49 4101 838 111

LLC "FURUNO EURUS"
Petersburg, Russia
Phone: +7 812 767 15 92
Fax: +7 812 766 55 52

07025U Printed in Japan



The future today with FURUNO's electronics technology.
FURUNO ELECTRIC CO., LTD.
9-52 Ashihara-cho, Nishinomiya City, Japan Phone: +81 (0)798 65-2111
Fax: +81 (0)798 65-4200, 66-4622 URL: www.furuno.co.jp

Catalogue No. E-401b

TRADE MARK REGISTERED
MARCA REGISTRADA

FCV-620

ECHO SOUNDER

The FURUNO FCV-620 is a high performance, dual-frequency color digital echo sounder (50 and 200 kHz) with high transmission output power of 600 Watts. It has been designed specifically with small fishing and recreational boats in mind. FURUNO's 50+ years of proven marine electronics technology is incorporated into this compact, waterproof unit.

One of the main features of the FCV-620 is the revolutionary digital filter. Our enhanced DSP (Digital Signal Processing) technology helps adjust gain, STC and output power as well as suppresses main bang (echoes just below transducer). The utilization of the DSP technology facilitates outstanding detection both in shallow and deep water. Shallow water detection is enhanced by its fast

transmission rate of 3,000 times per minute at the water depth of 5 meters. This will help you identify bait pods and individual fish targets right under the boat.

There are four basic operation modes: Single-Frequency (50 or 200 kHz), Dual-Frequency, Zoom (Marker Zoom/Bottom Zoom/Bottom-Lock) and NAV data. For simplified operation, an Auto mode is also provided. There are two types of Auto Modes available: Cruising and Fishing. Each mode fully utilizes the DSP technology to obtain optimum echo image for each purpose.

When interfaced with a GPS sensor and speed sensor, the own ship's position and own ship's speed can be confirmed on the screen. Target Lat/Lon (TLL) of favorite fishing spots can be transferred to the interfaced GPS plotter for use on your next fishing trip.

The FCV-620 employs a 5.6" color LCD (TFT) screen for vivid display and wide viewing angle. Its new unit design concept allows the display unit to swivel around when desktop mounted. Also, a quick release bracket makes flush mount installation quick and simple.

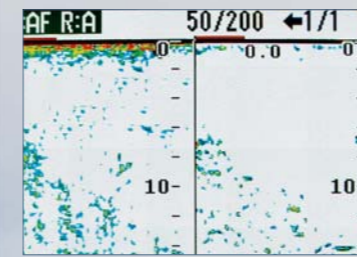


Digital Filter Technology

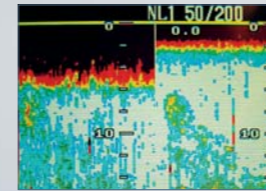
The FCV-620 features a digital filter, which delivers automatic gain control to present precise and crystal clear echo images. However, even the best digital filter won't help unless you start with a solid base, such as FURUNO's renowned fishfinder technology.

Exceptional Shallow Water Detection with surface clutter suppression

Surface clutter, mainly caused by a propeller of the craft, can be greatly suppressed by the digital filter, which facilitates exceptional shallow water detection. This enables you to spot fish targets close to the surface.



FCV-620

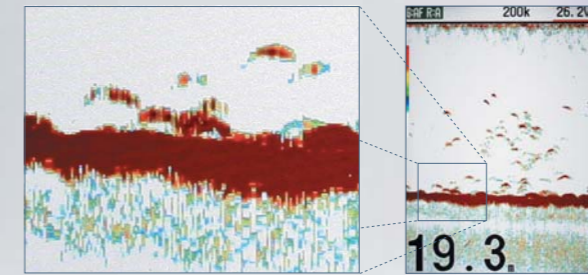


Conventional fish finder

Detailed target presentation

The digital filter of the FCV-620 optimizes gain to obtain highly defined images of underwater conditions. The FCV-620 clearly shows fish targets close to the seabed.

The digital filter also eliminates noise to deliver sharp and detailed echo presentation, achieving detection of fishing reefs and individual fish with absolute clarity.



- Range and Gain Control Setting
- Gain Control
 - G: AC — Auto Cruising
 - G: AF — Auto Fishing
 - G: M — Manual
- Range Setting
 - R: A — Auto
 - R: M — Manual

Operating Frequency

Range scale

Fish echo

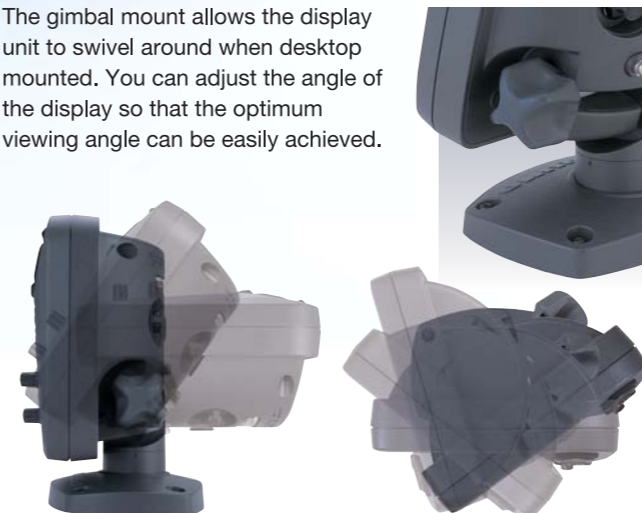
Bottom echo

Depth

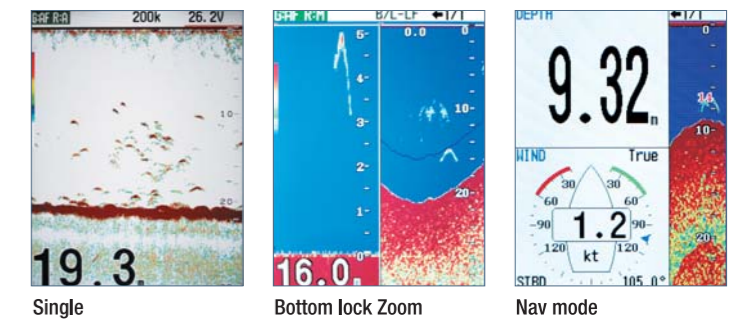
- ▶ Enhanced digital filter delivers comprehensive detection in both shallow and deep water
- ▶ The main bang (echo just below the transducer) is suppressed to less than 40 cm so that the fish echoes below the transducer can easily be observed
- ▶ Two types of Auto Modes available: Cruising and Fishing
- ▶ Fast pulse transmission rate to achieve outstanding shallow water echo presentation
- ▶ Dual frequency 50/200 kHz
- ▶ High output power of 600 W
- ▶ TLL output for an interfaced GPS plotter display
- ▶ 5.6" sunlight viewable bright 256 color LCD with a wide viewing angle
- ▶ Echo presentation in 8/16/64 color gradation
- ▶ Customized NAV data display when interfaced with appropriate sensors
- ▶ New cosmetic design allows the display unit to swivel around when table-top mounted
- ▶ Easy to flush mount
- ▶ Easy to operate with two rotary knobs for gain control and mode selection
- ▶ Audio-visual alarms for water depth, fish echoes and water temperature

Swivel mounting bracket to adjust the angle of the display unit

The gimbal mount allows the display unit to swivel around when desktop mounted. You can adjust the angle of the display so that the optimum viewing angle can be easily achieved.



Operation Modes



Single

Bottom lock Zoom

Nav mode

Flush-mounting made this simple!

When flush-mounting, all that is needed is a 5" hole-saw to make the cut-out for installation.

