

Installation Manual
VHF RADIOTELEPHONE
FM-8800D/8800S

System Configuration	ii
Equipment Lists	iii
1. Mounting	1-1
2. Connections.....	2-1
3. Assembling console kit	3-1
PACKING LISTS.....	A-1
Outline Drawings	D-1
Interconnection DiagramS	S-1



ECF

(Elemental Chlorine Free)

The paper used in this manual
is elemental chlorine free.

FURUNO ELECTRIC CO., LTD.

9-52 Ashihara-cho,
Nishinomiya, 662-8580, JAPAN

Telephone : +81-(0)798-65-2111

Fax : +81-(0)798-65-4200

• FURUNO Authorized Distributor/Dealer

All rights reserved. Printed in Japan

Pub. No. IME-56420-H

(TATA) FM-8800D/S

A : SEP . 2004

H : SEP . 01, 2008



* 0 0 0 1 4 9 9 3 2 1 7 *



SAFETY INSTRUCTIONS

WARNING



**Hazardous voltage.
Can shock, burn or cause
serious injury.**

Do not work inside the equipment unless totally familiar with electrical circuits.



**Do not approach the antenna
closer than 0.9 m (MPE by
FCC) when it is transmitting.**

The antenna emits radio waves which can be harmful to the human body.

	RF power density on antenna aperture	Distance	Description required by
FM-8800S	100 W/m ²	0.11 m	IEC 60945
	10 W/m ²	0.33 m	IEC 60945
	2 W/m ²	0.9 m	MPE by FCC
FM-8800D	100 W/m ²	0.11 m	IEC 60945
	10 W/m ²	0.33 m	IEC 60945
	2 W/m ²	0.9 m	MPE by FCC

(MPE: Minimum Permissible Exposure)

Turn off the power at the mains switchboard before beginning the installation. Post a warning sign near the switchboard to indicate that power should not be applied while the equipment is being installed.

Electrical shock, serious injury or fire can result if the power is not turned off or is applied while the equipment is being installed.

CAUTION



**Attach securely protective
earth to the ship's body.**

The protective earth (grounding) is required to the AC/DC power supply unit to prevent electrical shock.

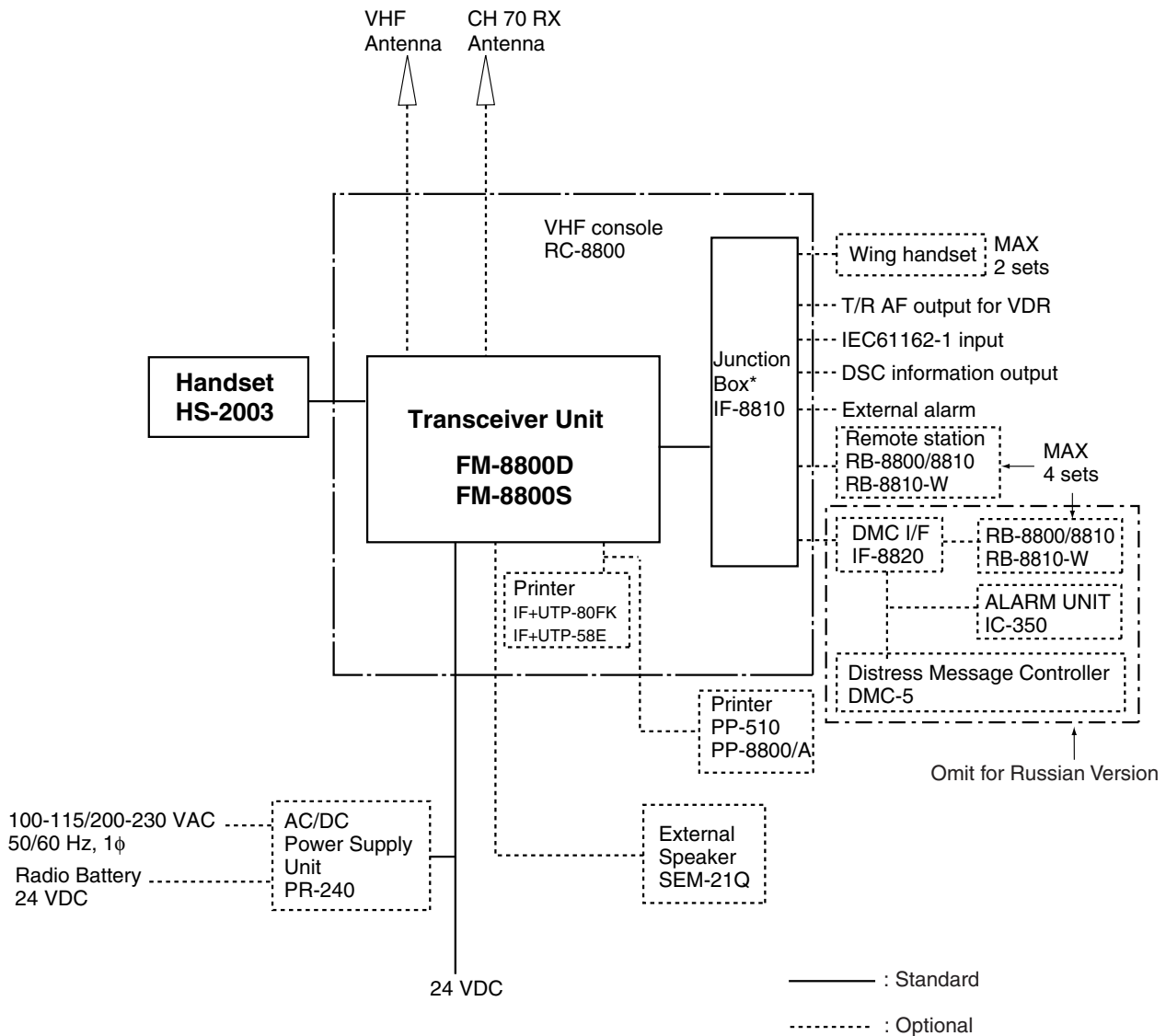
**Confirm that the power supply voltage
is compatible with the voltage rating
of the equipment.**

Connection to the wrong power supply can cause fire or equipment damage. The voltage rating appears on the label at the rear of the display unit.

**Observe the compass safe distance to
prevent deviation of a magnetic
compass.**

	Standard compass	Steering compass
FM-8800S	1.45 m	0.90 m
FM-8800D	1.45 m	0.95 m
IF-8810	0.85 m	0.55 m
IF-8820	0.75 m	0.50 m
HS-2003	1.50 m	0.95 m
HS-8800	0.40 m	0.30 m
RB-8800 (W/HS-8800)	1.20 m	0.80 m
RB-8810 (W/HS-8800)	1.50 m	1.00 m
PR-240	0.90 m	0.60 m
RB-8810-W (W/HS-8810-W)	1.55 m	1.00 m

SYSTEM CONFIGURATION



Category of units

Unit	Category
Antenna	Exposed to weather
All other units	Protected from weather

*: Option for FM-8800S/D-N

EQUIPMENT LISTS

Standard Supply

	Name	Type	Qty	Code No.	Remarks
1	Transceiver Unit	FM-8800D-E-A	1	—	D: Duplex S: Simplex E: With handset HS-2003 F: With microphone DM-2003-F A: With IF-8810 N: No IF-8810 R: Russian version
		FM-8800D-E-N			
		FM-8800D-F-A			
		FM-8800D-F-N			
		FM-8800S-E-A			
		FM-8800S-E-N			
		FM-8800S-F-A			
		FM-8800S-F-N			
		FM-8800S-R-A			
		FM-8800S-R-N			
2	Accessories*	FP05-05700	1	000-054-228	For E-type Handset HS-2003, Hanger FP05-05510, Others FP05-05511
		FP05-05710		000-054-156	For F-type Microphone DM-2003-F
3	Junction Box	IF-8810	1	—	For A-type
4	Installation Materials*	CP05-09900	1	000-054-227	Power cable 05S9371, CP05-09901
5	Spare Parts*	SP05-05501	1	005-377-820	

Standard Supply for VHF Console

	Name	Type	Qty	Code No.	Remarks
1	VHF Console	RC-8800-SN RC-8800-DN RC-8800-SA RC-8800-DA RC-8800-SB RC-8800-DB	1	—	D: Duplex FM-8800D S: Simplex DM-8800S N: No printer A: With printer UTP-80FK B: With printer UTP-58E
2	Installation Masteries*	CP05-10201	1	005-371-850	
3	Accessories*	FP05-05800	1	000-054-372	Handset HS-2003 & Handset hanger FP05-05510
		FP05-05810		000-010-428	HS-2003, FP05-05510, Thermal paper TP058-30CL

*: See lists at the end of this manual.

Optional Equipment

Name	Type	Code No.	Remarks
Flush Mount Kit	OP05-102	000-054-120	
Junction Box	IF-8810	—	W/ Screw 5x20 4 pcs.
DMC Interface	IF-8820	—	No use for Russian version
Remote Station	RB-8800-15 (W/ 1.5 m Cable)	—	·FP05-05701*, ·Handset HS-8800, ·Hanger W/DIST. button HG-8800
	RB-8800-20 (W/ 2 m Cable)		
	RB-8810-15 (W/ 1.5 m Cable)	—	·FP05-05511*, ·Handset HS-8800, ·Hanger HG-8810
	RB-8810-20 (W/ 2 m Cable)		
	RB-8810-W-15	—	W/ HS-8800-W-15
Handset	HS-8800-15	000-054-230	W/ 1.5 m Cable
	HS-8800-20	000-054-171	W/ 2 m Cable
	HS-8800-W-15	000-054-287	Waterproof
	HS-2003-15	000-054-223	W/ Cable 1.5 m
	HS-2003-20	000-054-390	W/ Cable 2.0 m
	HS-2003-50S	000-054-391	W/ Straight cable 5.0 m
	HS-6000FZ11	000-135-072	
Handset Hanger	FP05-05700	000-010-246	HS-2003-15 & Hanger
	HG-8800	000-054-229	For HS-8800
	HG-8810	000-054-231	For HS-8800
	FP05-05510	005-951-790	For HS-2003
Loudspeaker	AP-102	000-580-019	For HS-6000FZ11
	SEM-21Q	000-144-917	
Dynamic Mic. Set	OP05-57	000-045-775	Handset HS-6000FZ5, Receptacle RDB-VHF(B), Hanger AP-102
Carbon Mic. Set	OP05-58	000-045-776	Handset HS-6000FZ6, Receptacle RDB-VHF, Hanger AP-102
Handset set	OP05-42	000-045-778	Handset HS-6000FZ11, Receptacle RDB-VHF(B), Hanger AP-102
Mic. Receptacle Box	RBD-VHF (B)	000-056-094	
Microphone	DM-2003-F	005-377-760	For transceiver unit only (not RB-8800), **
Printer	PP-510	—	
Printer Interface	IF-8500	—	
AC-DC Power Supply	PR-240	—	
Antenna Material	AP05-00800	000-057-721	Whip antenna FAB-151D, Mounting plate 4-310071, Coax. Cable 5D-2V 10m, Connector M-P-5 2 PCS
	AP05-00810	000-057-722	Whip antenna RA106, Mounting plate RA115, Coax. Cable 05S9104 5m
	AP05-00900	000-057-739	Whip antenna 396-1, Mounting plate 4187
	AP05-01000	000-054-123	Whip antenna FAB-151D, Mounting plate 4-310071, Connector M-P-7 2 PCS

*: See lists at the end of this manual

** : Microphone DM-2003-F can be connected to transceiver unit instead of handset HS-2003. However, in this case, any remote station is disabled.

Name	Type	Code No.	Remarks
Antenna Material	AP05-01100	000-054-224	Whip antenna 150M-W2VN, Coax. Cable 5D-2V 10m, Connector M-P-5 2 PCS
	AP05-01200	000-054-232	Whip antenna FAB-151D, Mounting plate 4-310071, Coax. Cable 5D-2V 10m, Connector M-P-5 & M-P-7
	AP05-01210	000-054-233	Whip antenna FAB-151D, Mounting plate 4-310071, Coax. Cable 5D-2V 20m, Connector M-P-5 & M-P-7
Signal Cable	05S0309 *10M*	000-106-043	10m
	05S0309 *20M*	000-106-044	20m
	05S0309 *30M*	000-106-046	30m
	05S0309 *40M*	000-106-047	40m
	05S0309 *50M*	000-106-048	50m
Twisted Cable	CO-SPEVV-SB-C 0.2x2P	000-111-680	5m
		000-120-792	10m
		000-120-793	15m
		000-120-794	20m
		000-120-214	30m
VHF Console Kit	RC-8800-N-75BG	-	Without Printer
	RC-8800-A-75BG	-	With Printer UTP-80FK
	RC-8800-B	-	With Printer UTP-58E
Printer	PP-8800	-	W/ power cable
	PP-8800A		
Emergency lamp	EMG-1T	000-138-378	For rack console, cable attached
Cable	05S9509-L500	000-168-955-10	For handset extension

EQUIPMENT LISTS

1. MOUNTING

Transceiver Unit

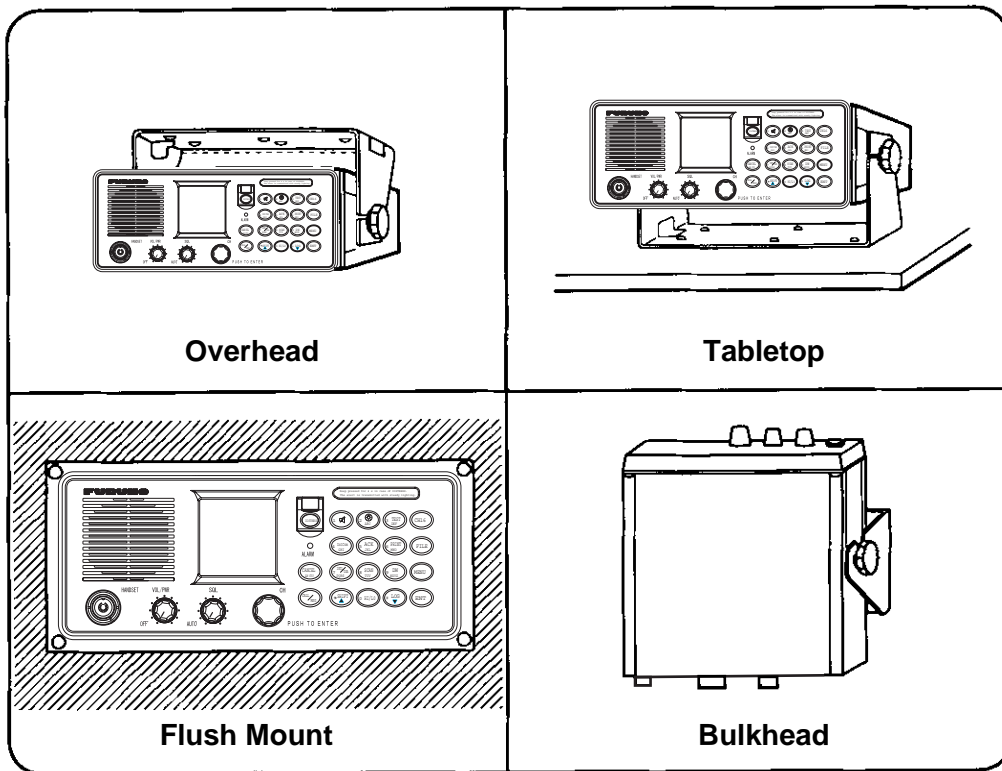
General mounting considerations

Determine the mounting location for the transceiver unit considering operator convenience, proximity to the power source and the ground location. Keep these and the following points in mind when selecting a mounting location.

- Locate the unit in a place free of water spray and water splash.
- Keep the unit out of direct sunlight because of heat that can build up inside the unit.
- Leave a little slack in cables to allow a service technician to move the radio from its usual location with the cables connected. This lets him make tuning and other adjustments on a “live” set.
- Do not install the unit where flammable gases are stored.
- Select a well-ventilated area.
- Ensure the mounting location is strong enough to support the weight of the unit (approx. 6 kg) under the condition of continued vibration normally encountered aboard the vessel. If necessary, reinforce the mounting area with a doubling plate or lining block.
- Leave sufficient space at the sides and rear of the unit for maintenance and service purposes and to provide for circulation of cooling air. See outlines drawings at the back of this manual.
- **For flush mounting**, select a location where the LCD can be easily viewed.
- The transceiver unit will affect a magnetic compass if placed too near the compass. Observe the compass safe distance to prevent deviation of a magnetic compass, referring to page “ i ”.

Note: Take great care not to press the DISTRESS switch during the installation. If you accidentally press the switch, immediately turn off the equipment and contact appropriate authority by telephone.

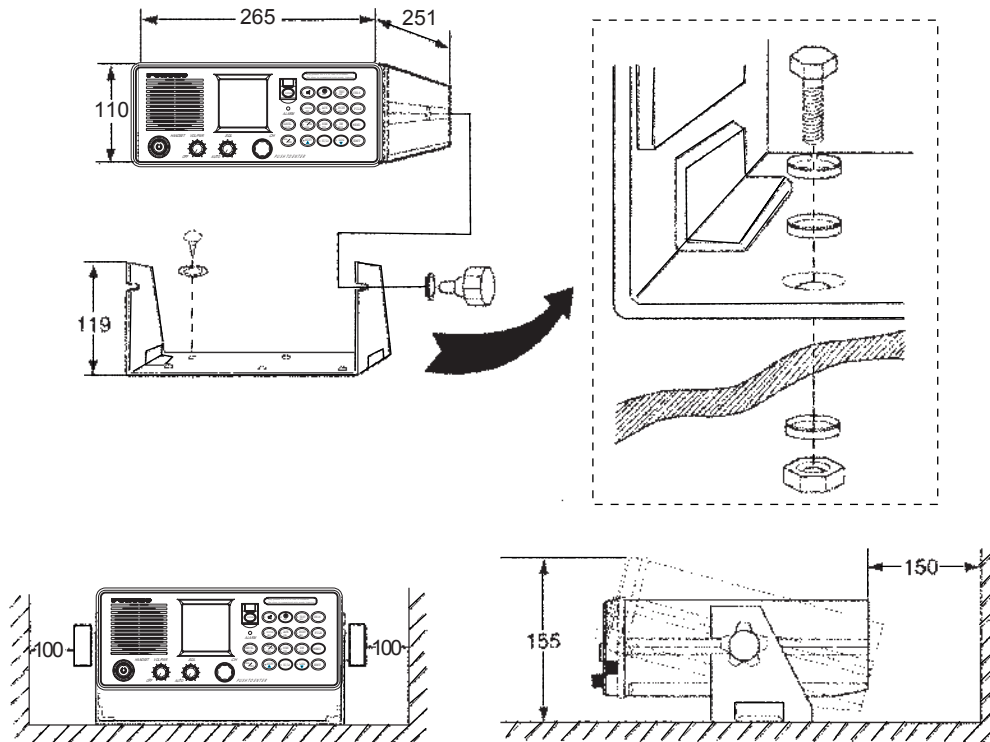
Overview of mounting methods



Overview of mounting methods

Mounting procedure for tabletop, overhead and bulkhead mounting

1. Using the hanger as a template, mark fixing holes in the mounting location.
2. Fix the hanger to the mounting location with self-tapping screws and washers (supplied).
(For added support, use nuts, bolts and washers instead of self-tapping screws.)
3. Screw the knob bolts with washers into the transceiver unit.
4. Set the transceiver unit to the hanger and tighten knob bolts.



- All dimensions in millimeters.
- Leave sufficient space at the sides and rear of the unit to provide easy access for maintenance and service.

Mounting dimensions for tabletop, overhead and bulkhead mounting

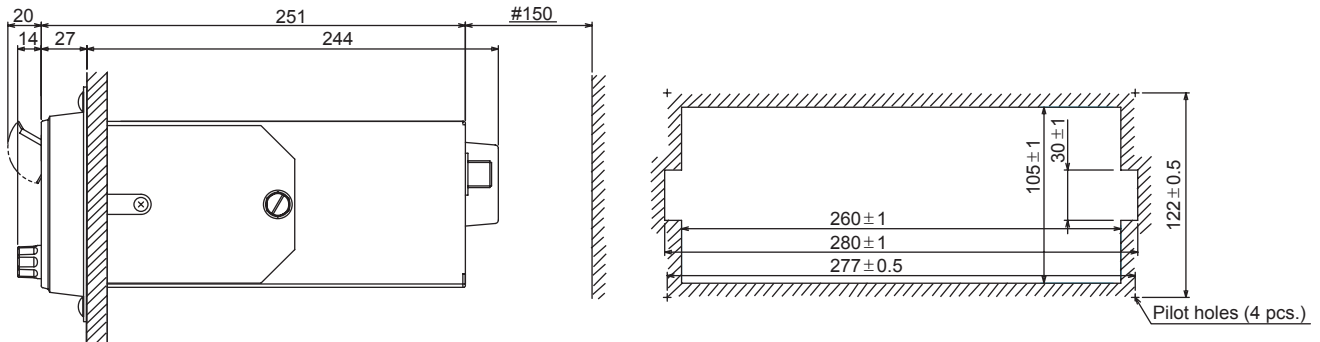
1. MOUNTING

Mounting procedure for flush mount (option)

Requires optional flush mount kit OP05-102 (Code No. 000-054-120). Prepare a cutout in the mounting location whose dimensions are as shown in the figure below.

Flush mount kit OP05-102

	Name	Type	Code No.	Qty
1	Mounting plate	05-093-1211	100-323-160	1
2	Self-tapping screw	5x20	000-802-081	4
3	Hex screw	M8x16	000-882-075	2



Mounting dimensions for flush mount

VHF Antenna

The antenna requirements

Any good quality antenna meeting the requirements shown below may be used. A high-gain antenna is preferable.

- Frequency range: 155 to 164 MHz
- Impedance: 50 ohms
- Polarization: Vertical
- Handling power: 30 W/ min
- Quality: Able to withstand marine environment

Mounting considerations

- The antenna should be well separated from nearby antennas, masts, and other interfering objects.
- The higher the antenna is mounted above the horizon, the further the communications range.

Mounting procedure

The basic mounting procedure for antennas supplied by FURUNO is as follows, however consult appropriate outline drawing for details.

1. Fasten the antenna bracket to the stanchion.
2. Set the antenna to the antenna bracket and tighten bolts.
3. Screw the coaxial cable plug into the antenna.

CH70 RX Antenna

The antenna should be well separated from nearby antennas, masts, and other interfering objects.

The mounting procedure is the same as that for the VHF antenna, however consult appropriate outline drawing for details.

Handset Hanger

The handset hanger can be mounted at the left side of the transceiver unit. The mounting location should provide easy access to front panel controls while operating the handset. Also, the length of the standard handset cable is 50 cm, so locate the handset hanger within 50 cm of the unit. (Longer cables are available optionally.)

Power Supply (option)

For Convention vessels, both AC and DC power must be fed to the FM-8800D/8800S, via an AC-DC power supply. When AC input fails, DC power is supplied. FURUNO can supply an AC-DC power supply unit, the PR-240.

Mounting considerations

When selecting a mounting location, keep in mind the following points.

- Select a location which provides adequate ventilation.
- The location must be clean and dry.
- The mounting location must be able to support the weight of the unit (14.5 kg) under the continued conditions of vibration normally encountered aboard the vessel. If necessary, reinforce the mounting location.
- The PR-240 will affect a magnetic compass if it is placed too near the compass. Observe the compass safe distance to prevent deviation of a magnetic compass, referring to page “j”.

Mounting

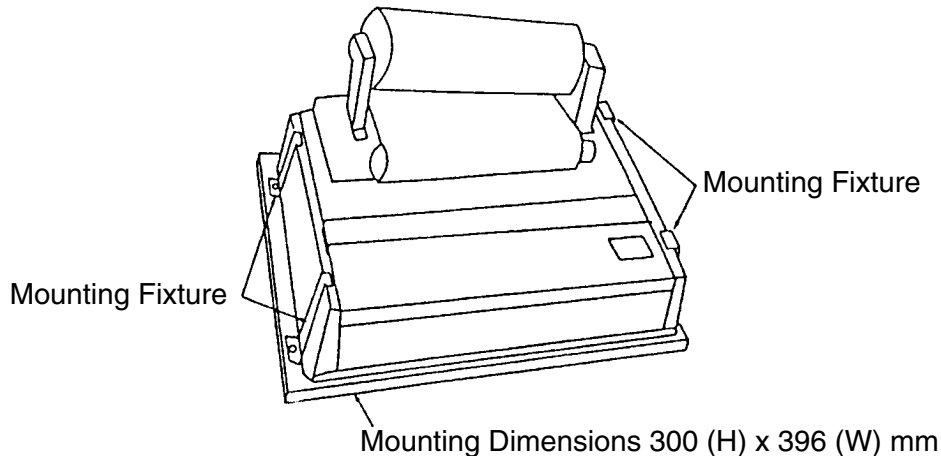
Refer to outline drawing.

Printer (option)

Printer PP-510

To mount the printer, refer to the printer outline drawing at the back of this manual.

1. Select a flat surface.
2. Fix the mounting base to the mounting location with four screws (supplied).
3. Lay the printer on the top of the mounting base and fasten it with the mounting fixtures (two at each side and one at rear).



Mounting of Printer PP-510

Printer PP-8800

The printer PP-8800 is flush-mounted in a panel. Refer to the outline drawing at the back of this manual.

1. Make a cutout of 208(w) x 118(h) mm.
2. Set the printer and fix it with four self-tapping screws (4x16).

Printer Interface (option)

The printer interface IF-8500 is required for the printer PP-510 which is commonly used with the FM-8800D/S and other MF/HF radio communication equipment. To mount the unit, see the outline drawing at the back of this manual.

External Loudspeaker (option)

The external loudspeaker can be installed on a tabletop, the overhead or a bulkhead. Fasten the loudspeaker to the mounting location with self-tapping screws, or nuts, bolts and washers. For mounting dimensions, see the outline drawing at the back of this manual.

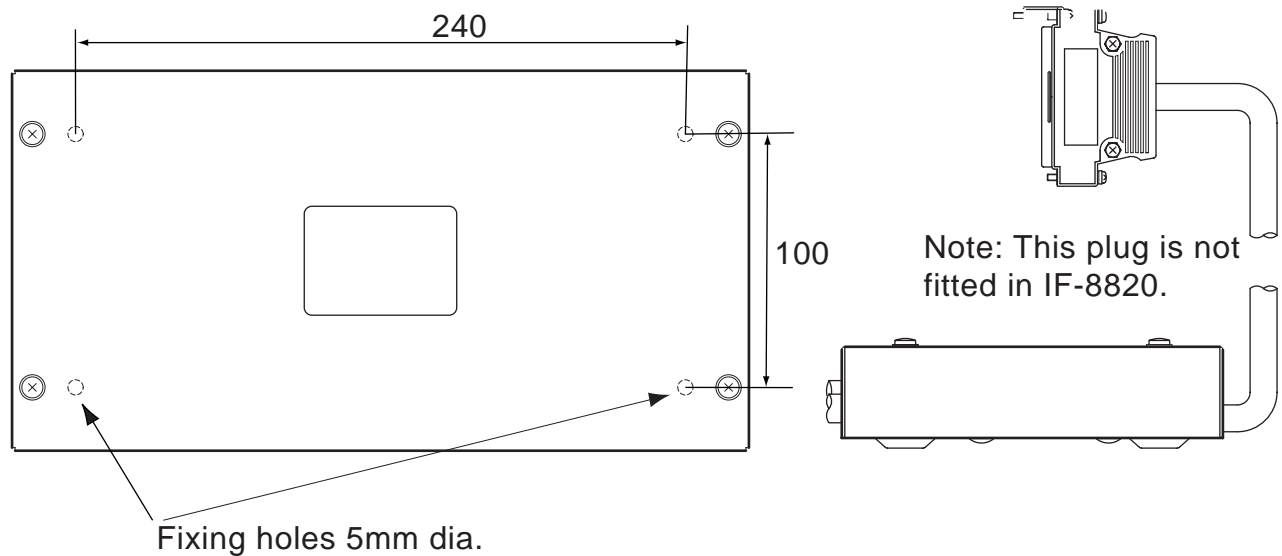
Junction box IF-8810/ DMC interface IF-8820

Note: DMC interface IF-8820 is not used for Russian version.

To install the remote box RB-8800/RB-8810, wing handset, etc., the junction box IF-8810 is required. Install the junction box near the transceiver unit. Approx. 3 m cable is preattached to the junction box to connect to the transceiver unit.

To connect Furuno's distress message controller DMC-5, the DMC interface IF-8820 (option) is required.

1. Open the cover.
2. Mount the unit with four self-tapping screws (5x20).



Mounting the junction box/DMC interface

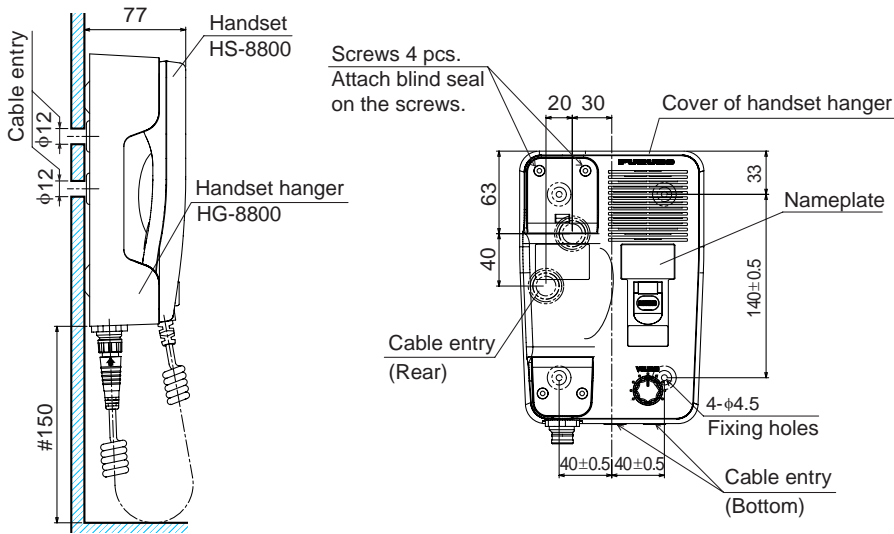
1. MOUNTING

Remote station RB-8800/RB-8810 (option)

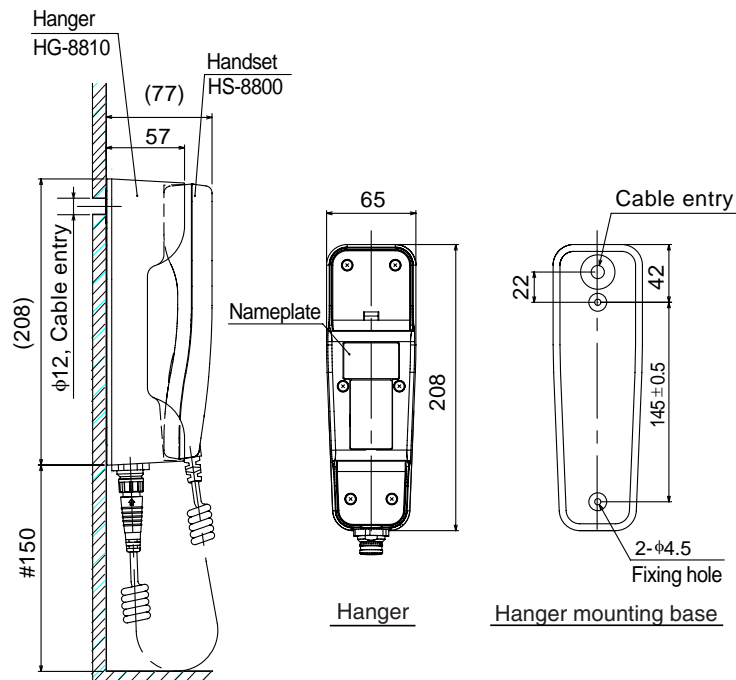
Up to four remote stations can be connected in a daisy chain.

Note: For the remote station RB-8800, there are two method of cable entry: bottom-side entry and rear-side entry. For rear-side entry, make one or two holes of more than 12 mm diameter. For last station in the daisy chain, just one cable entry hole is needed.

1. Remove screws on the handset hanger (four for RB-8800, six for RB-8810).
2. Remove upper chassis of the hanger.
3. Mount the base of the hanger to a bulkhead with self-tapping screws 4x20 (four for RB-8800), or 4x16 (two for RB-8810).
4. After connecting cables, assemble the remote station.
5. For RB-8800, attach blind seals on the screws.



Remote station RB-8800



Remote station RB-8810

Outdoor mounting of waterproof-type remote station RB-8810-W

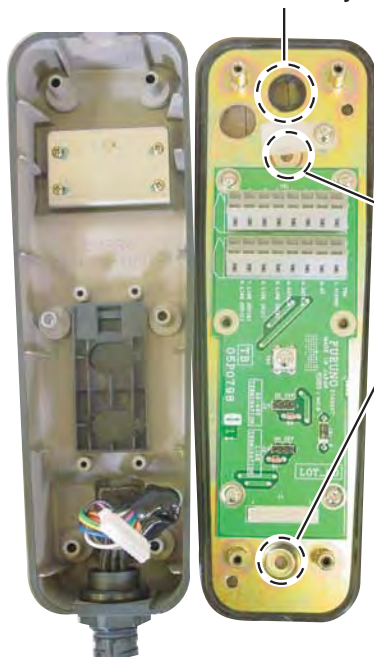
Remote station RB-8810-W (with waterproof-type handset HS-8800-W) can be mounted outdoors if it is set in a waterproof box. The hanger should be coated as directed below with silicone sealant for waterproofing.

Note 1: Be sure to use a waterproof box to mount the RB-8810-W outdoors. The waterproofing category of the RB-8810-W is IEC60529 IP56, however this should be protected from the weather (IEC 60945).

Note 2: Before sealing with silicone sealant (for waterproofing), do the termination setting (only for termination device, see page 2-7), connect cables and conduct the performance test. After sealing, do not open the handset hanger.

1. Fix the mounting base with self-tapping screws. Coat exposed part of these screws with silicone sealant.
2. Attach the cable from the transceiver unit or junction box. Coat cable around cable entrance with silicone sealant.
3. Fix the cover of the handset hanger. Coat junction between mounting base and cover with silicone sealant.

2. Coat all around the cable at cable entry.



1. Coat self-tapping screws.



3. Coat all around the junction.



Note: Confirm that plastic washers are in screw holes before fixing cover.

1. MOUNTING

VHF console

Install the rack console where the equipment can be easily operated, checked and serviced. Consult with shipyard personnel and ship's officer-in-charge to determine best location. The location must satisfy the following points:

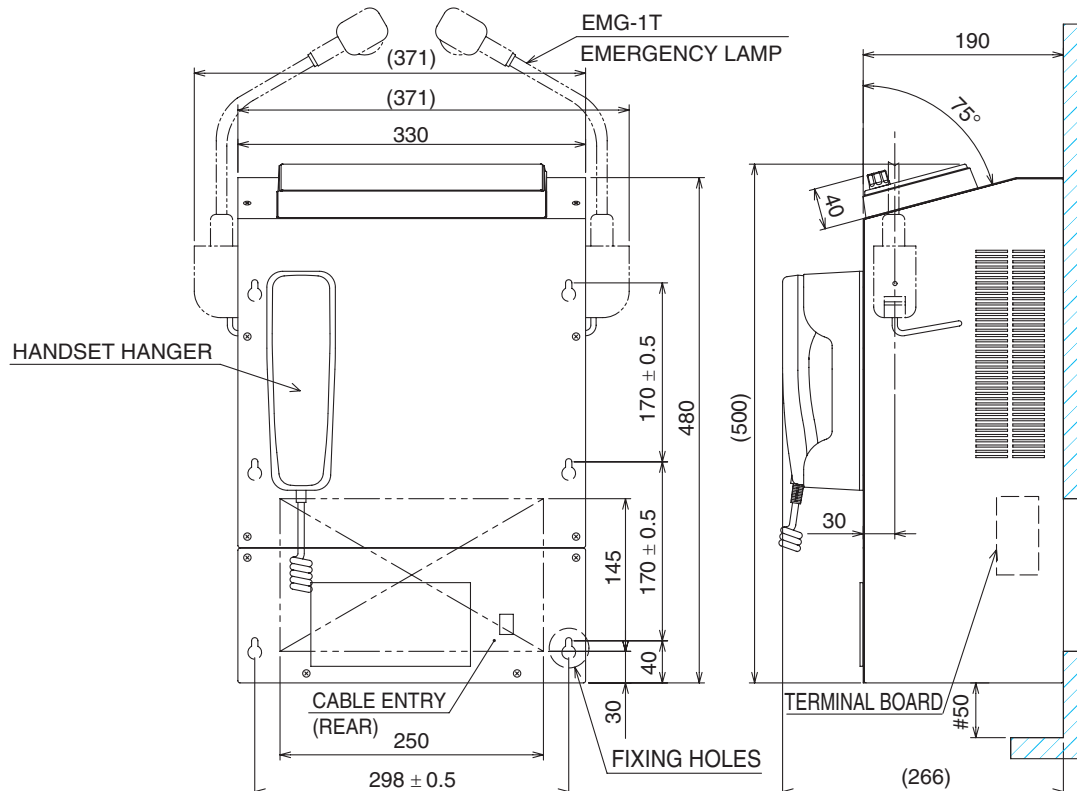
- Select a location where controls can be easily operated.
- Select a location where shock and vibration are minimal.
- Locate the console away from water splash and rain.
- The temperature and humidity of the location should be both stable and moderate.

Fixing

1. Ask shipyard personnel to tighten six M5 nuts or six M5 bolts to the fixing holes (on the wall), referring to the outline drawing at the back of this manual.
2. Detach the cover assembly from the console.
3. Hang VHF console on bolts.
4. Screw the console with the bolts or nuts tightly.
5. Attach the cover assembly to the console.

Note: When you connect wires as soon as attaching console, refer to paragraph 2-10.

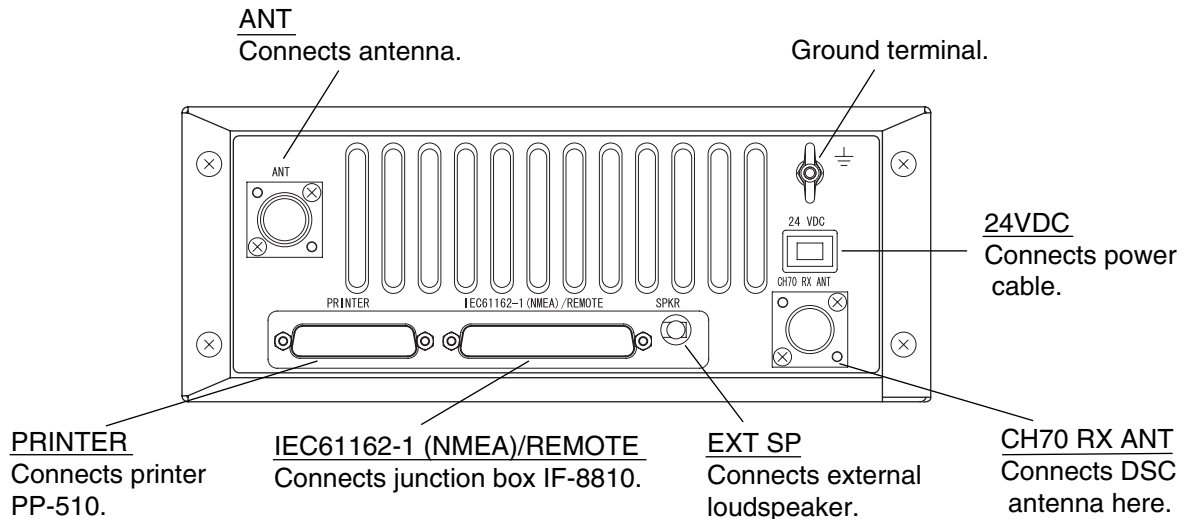
6. Attach the handset hanger with two screws.
7. To attach the optional emergency lamp, connect the cable to the terminal board, and then attach the lamp to the console. Refer to the interconnection diagram and out line drawing.



2. CONNECTIONS

Overview

The figure below shows where to connect various equipment at the rear of the transceiver unit.



FM-8800D/8800S, rear view

Connection of Power Supply

Convention vessels, 100/220 VAC ship's mains

Convention vessels must supply both AC and DC power to the FM-8800D/8800S, via an AC-DC power supply unit. Both AC and DC are supplied by the AC-DC power supply unit, and when AC input fails DC power is activated.

Connect the radio battery to the DC IN terminal on the PR-240. Connect the AC ship's mains to the AC IN terminal on the PR-240.

Radio battery (24 VDC)

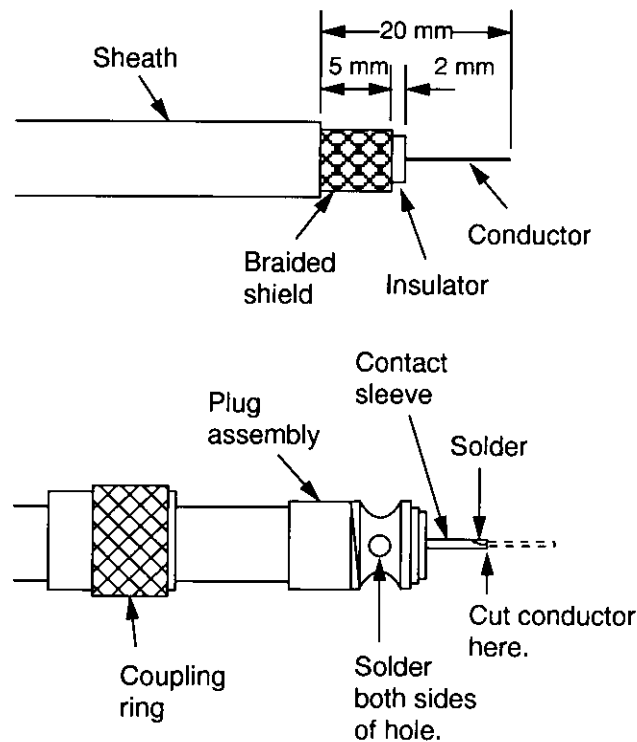
Attach the connector supplied to the power cable and plug it into the 24VDC connector at the rear of the transceiver unit. Connect the wire ends to the radio battery line.

Connection of VHF Antenna

The VHF antenna is connected to the transceiver unit with a 50 ohm coaxial cable, type 5D-2V. Be sure to leave some slack in the cable for future service and maintenance.

Lay the coaxial cable and attach an M-type plug to the cable (if necessary) as follows.

1. Remove the sheath by 20 mm.
2. Bare 13 mm of the center conductor. Trim braided shield by 5 mm and tin.
3. Slide coupling ring onto cable.
4. Screw the plug assembly on the cable.
5. Solder plug assembly to braided shield through solder holes. Solder contact sleeve to conductor.
6. Screw coupling ring into plug assembly.
7. Screw the plug into the ANT connector at the rear of the transceiver unit.



How to attach the M-type plug to the coaxial cable

Connection of DSC Antenna

The DSC antenna is connected to the transceiver unit with a 50 ohm coaxial cable, type 5D-2V. Attach an M-type plug to the cable (if necessary) as shown on page 2-2. Screw the plug into the CH70 RX ANT connector at the rear of the transceiver unit.

Connection of Handset

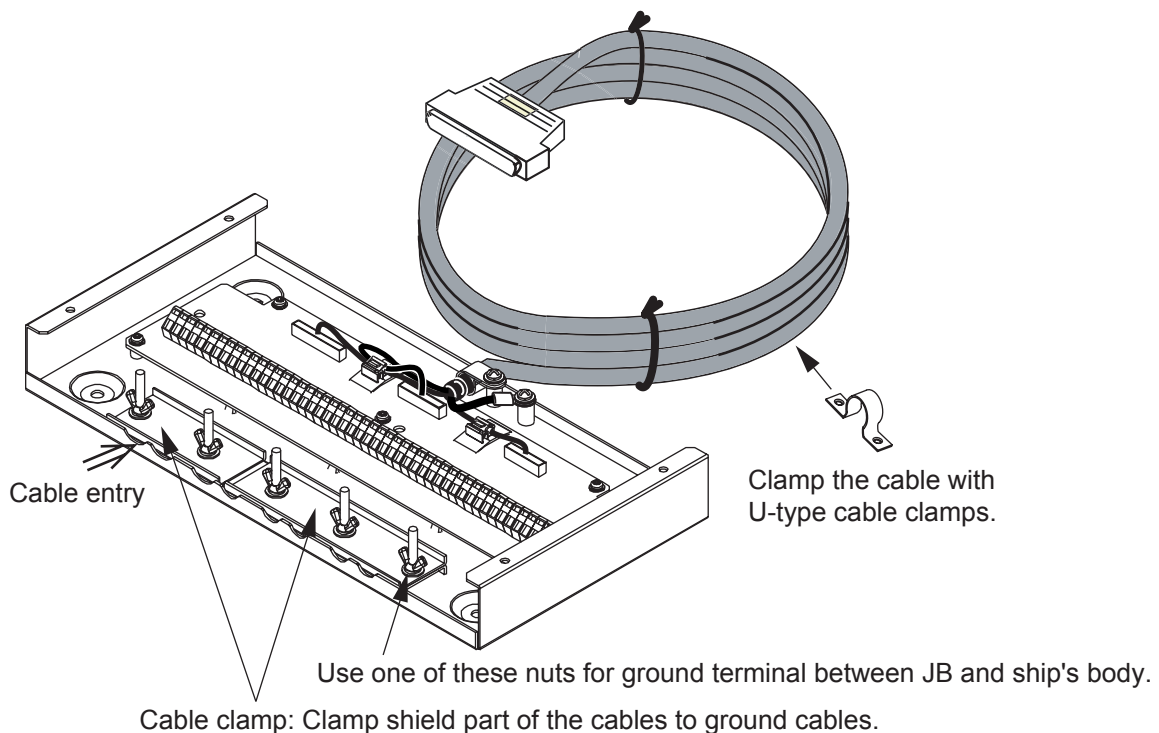
Connect the handset cable to the HANDSET connector on the front panel.

Grounding the Transceiver Unit

Fasten a ground wire (local supply) between the GND terminal at the rear of the transceiver unit and ship's hull (or ground bus).

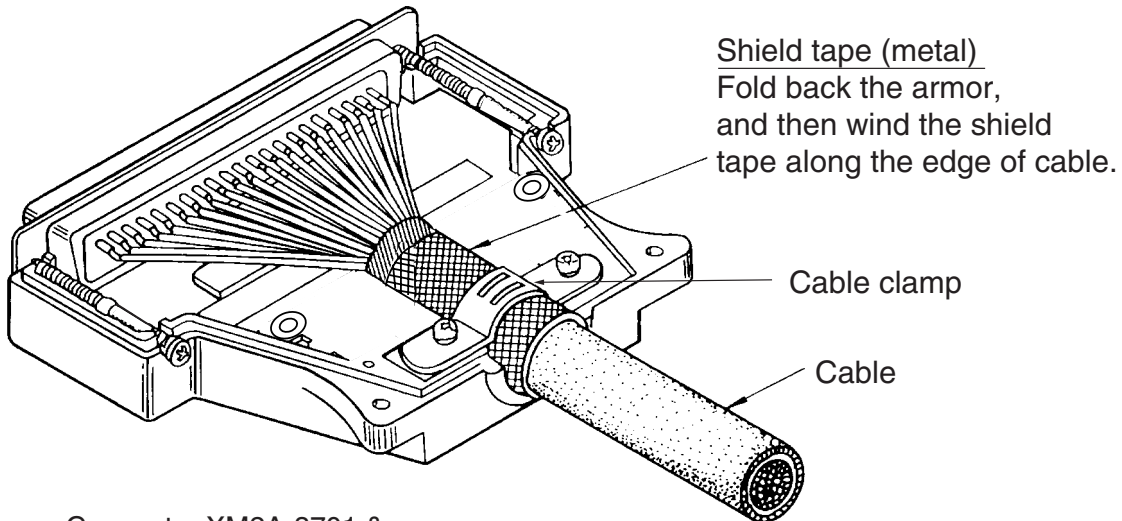
Connecting the Junction Box

The junction box is required to connect a remote station, wing handset, etc. The cable to be connected with the transceiver unit is prefitted on the junction box at the factory. For connection of other cables, see the interconnection diagram.



Connecting the Remote Station without the Junction Box

The remote station (or DMC Interface, Mic. Receptacle box, etc) can be connected directly to the transceiver unit, using the D-sub connector supplied as installation materials. Attach the connector to the cable as follows.



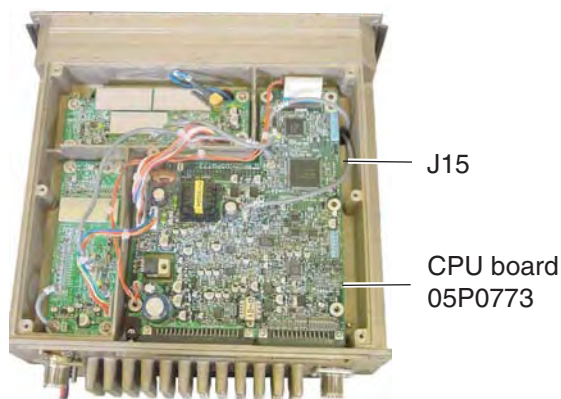
Connector XM2A-3701 &
Housing case XM2S-3712

Attachment of connector

When the handset HS-2003 is not connected to the Transceiver unit

When the handset HS-2003 is not connected to the transceiver unit, i.e., always the remoted handset is used, the following modification is necessary.

1. Dismount the cover of the transceiver unit by removing four screws at the rear panel and two screws at the side.
2. Dismount the bottom cover by removing seven screws.

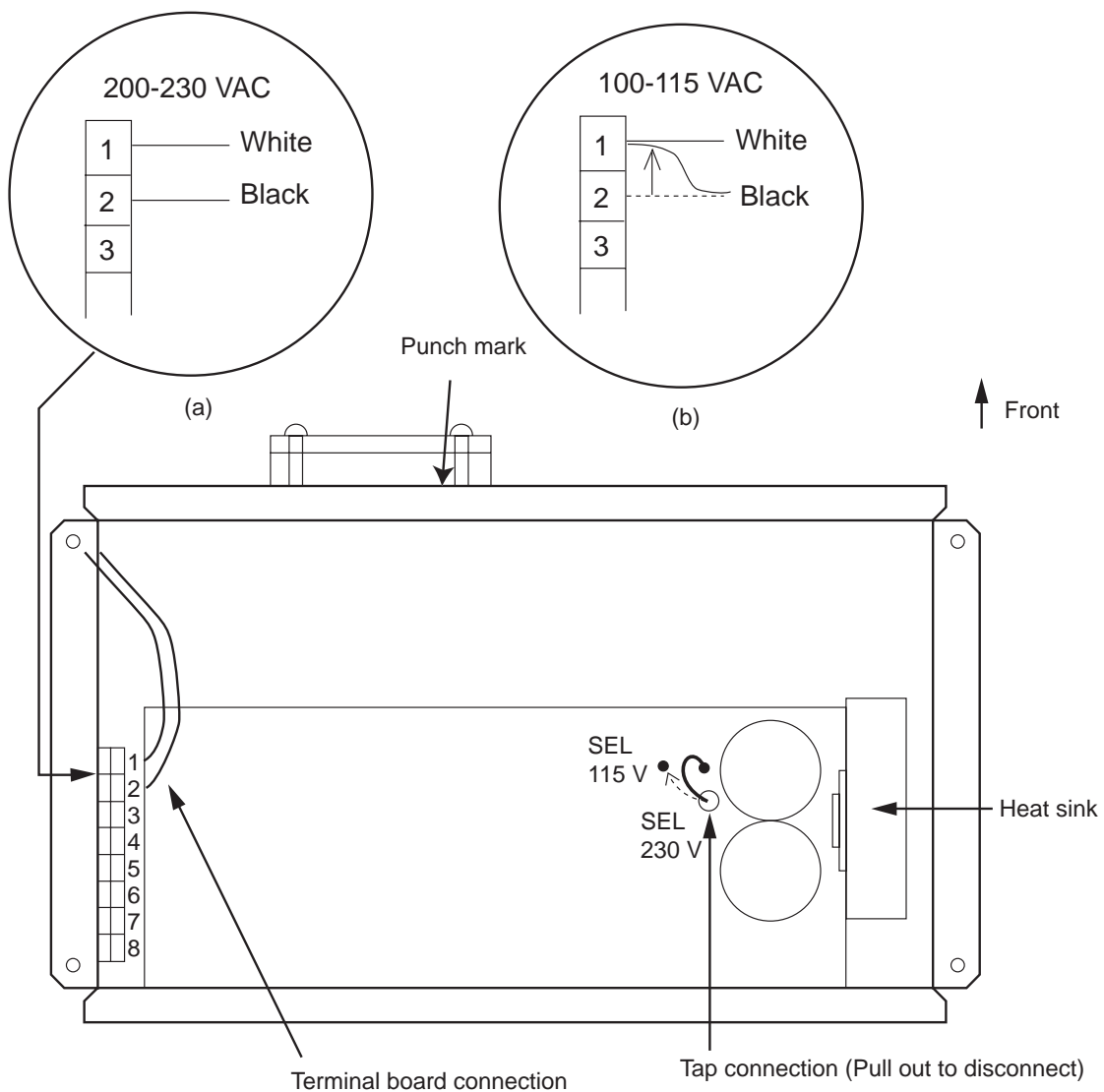


3. Shorten between #1 and #2 of J15. The handset line of the HANDSET port becomes always "ON HOOK".
4. Assemble the unit.

Connection of AC-DC Power Supply Unit PR-240

The power supply PR-240 is shipped ready for connection to a 200-230 VAC ship's mains. If the ship's mains is 100 VAC – 115 VAC, change the tap connection and terminal board connection as below. Attach label supplied as accessories to the punch mark in the front panel according to the ship's mains.

Ship's mains	Tap connection	Terminal board connection #1 & #2
100-115 VAC	SEL 115 V	b
200-230 VAC	SEL 230 V	a

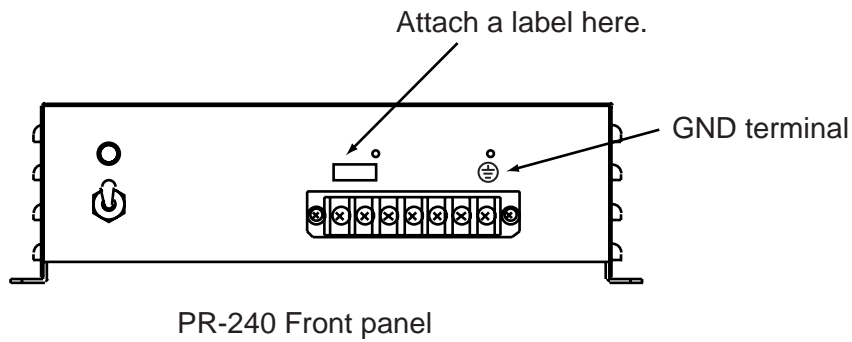
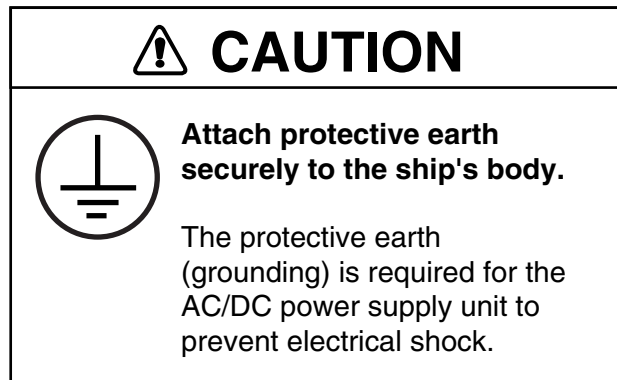


Top view of AC/DC power supply unit (cover removed)

2. CONNECTIONS

Protective earth

Connect IV-2.0sq wire between ship's superstructure and the ground terminal on the PR-240.

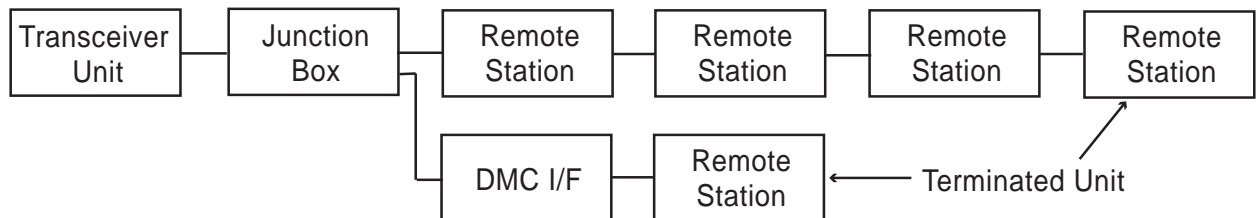


Jumper Setting for Termination

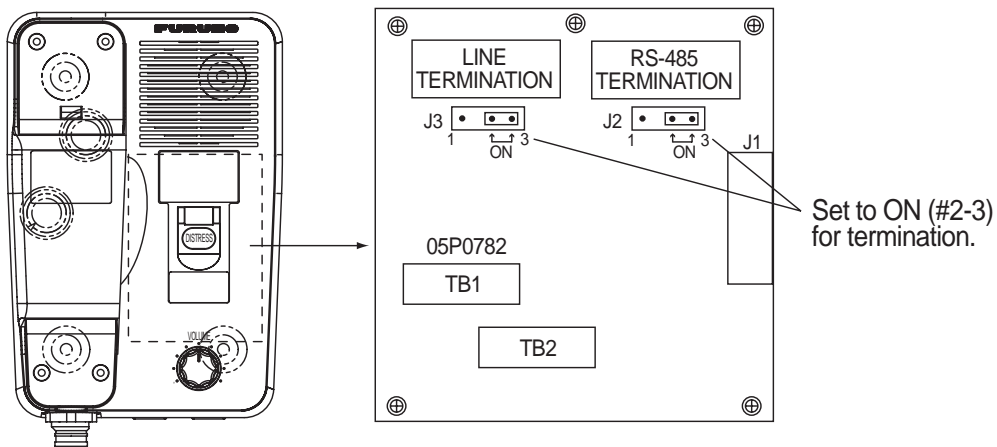
Note: DMC interface is not used for Russian version.

It is necessary, for termination, to change the jumper setting for remote station or DMC interface.

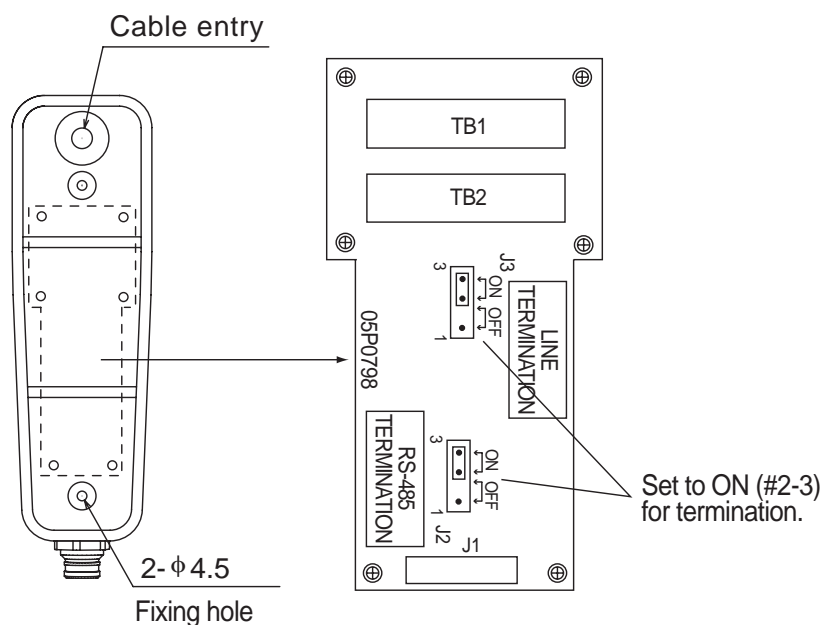
Open the unit(s) terminated and change the jumper plugs J2 and J3 to ON position (#2-#3). (Default setting is OFF position.)



Note that up to four remote stations can be connected.



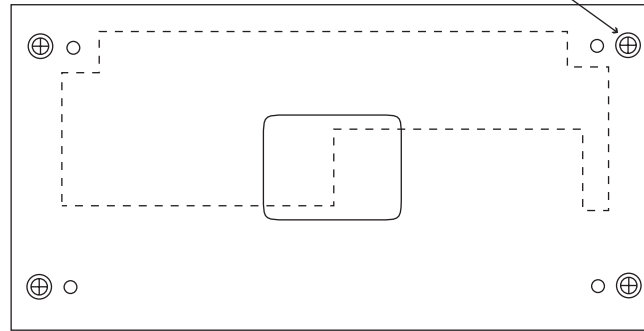
Remote station RB-8800



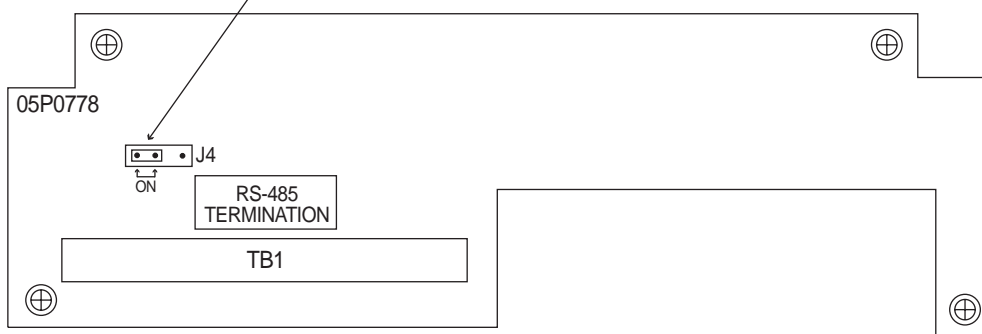
Remote station RB-8810

2. CONNECTIONS

Remove four screws
to open the unit.



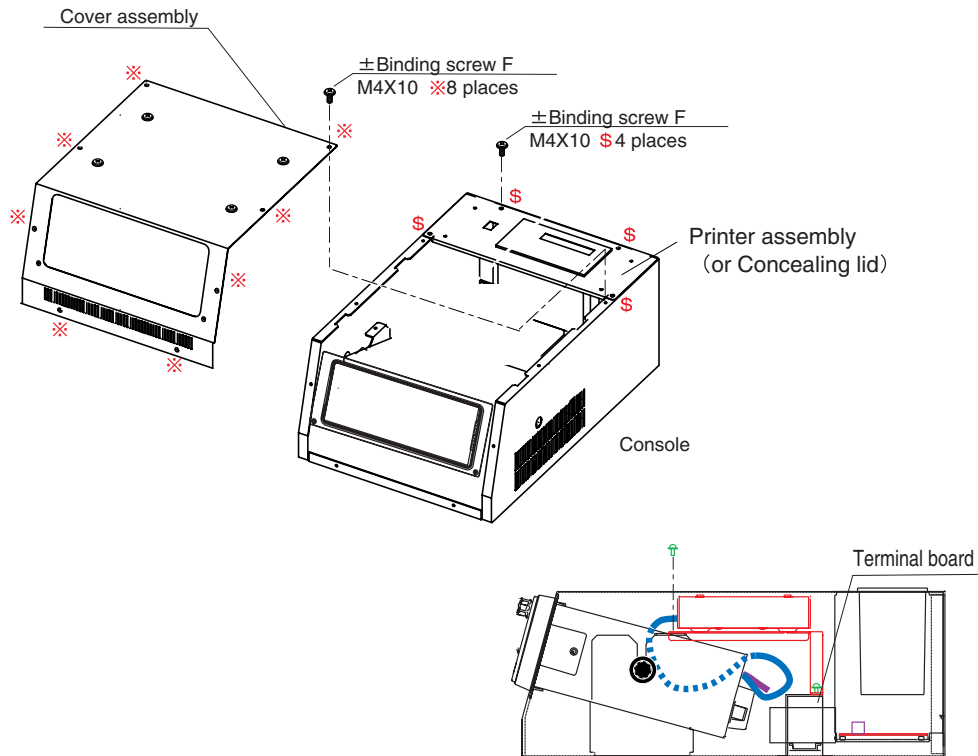
Set jumper plug to ON (#1-2).



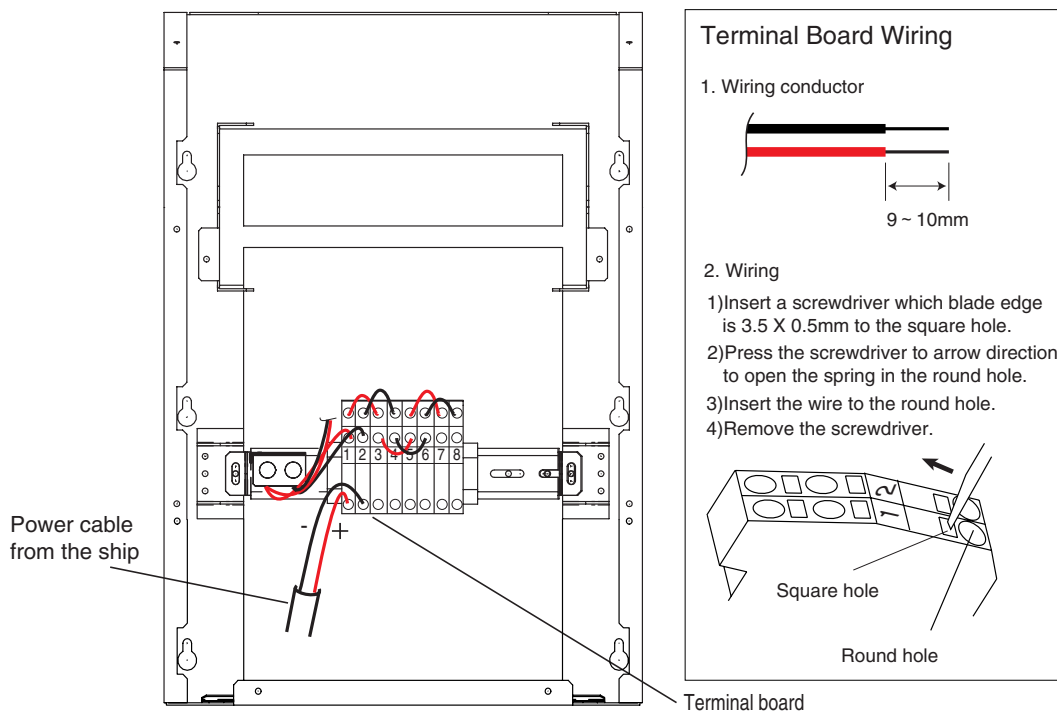
DMC Interface IF-8820

2.10 Wire connection of VHF console

1. Remove the cover assembly and printer assembly (or concealing lid) from the console. For the printer assembly, remove the cables connected at the Transceiver Unit and the terminal board.



2. Connect the power cable from the ship to the terminal block 1 (+) and 2 (-).



3. Connect the ground wire from ship to each ground terminal for the transceiver unit and the junction box.
4. Connect cables from external equipments to the junction box.
5. Fix the printer assembly (or concealing lid) and the cover assembly.

2. CONNECTIONS

This page is intentionally left blank.

3. ASSEMBLING CONSOLE KIT

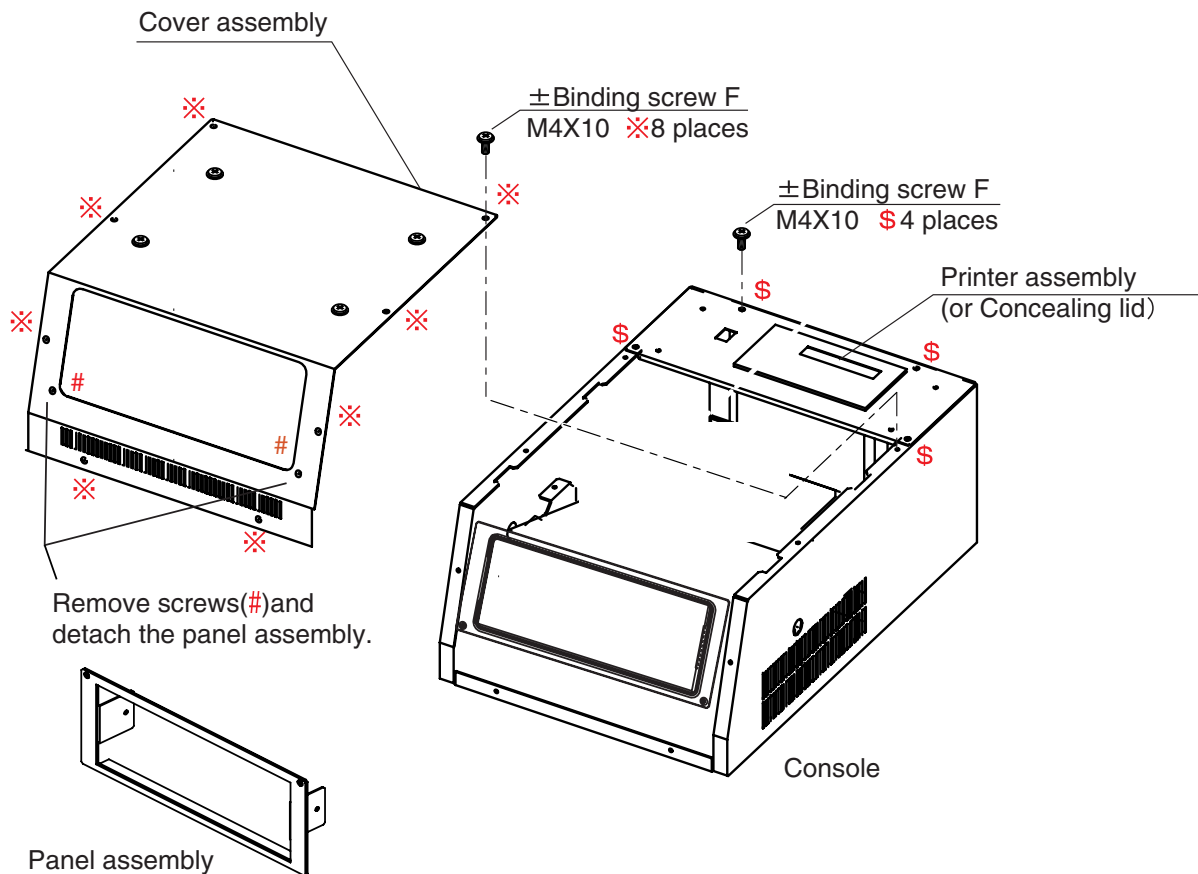
A VHF console kit is required to mount the Transceiver Unit in the field. There are two types as shown below.

VHF console kit

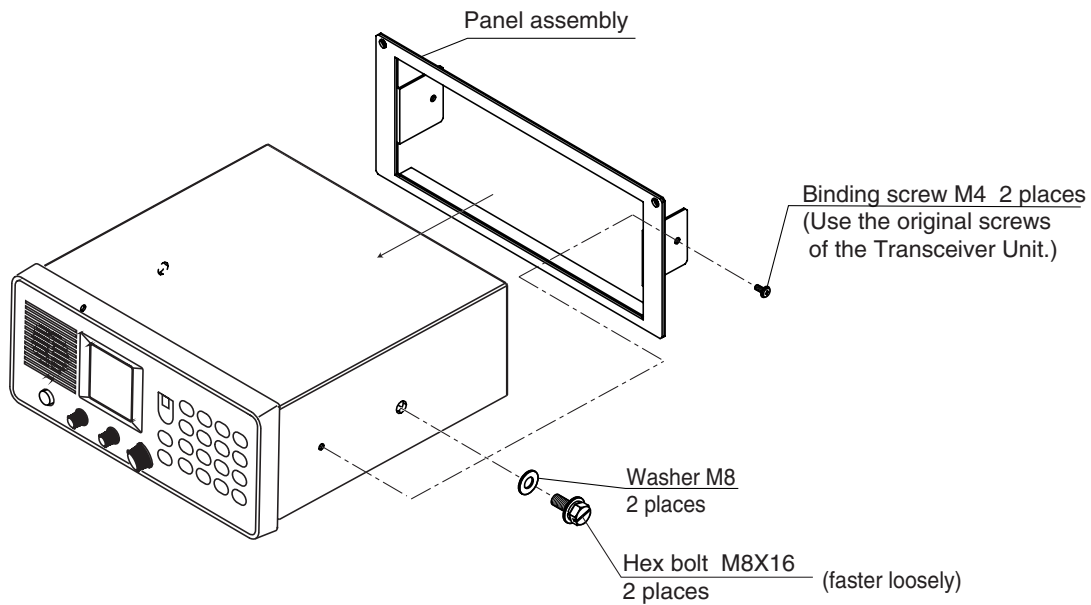
Type	Code No.	Remarks
RC-8800-N-75BG	000-054-125	Without printer
RC-8800-A-75BG	000-054-126	With printer

Assembling the Console Kit

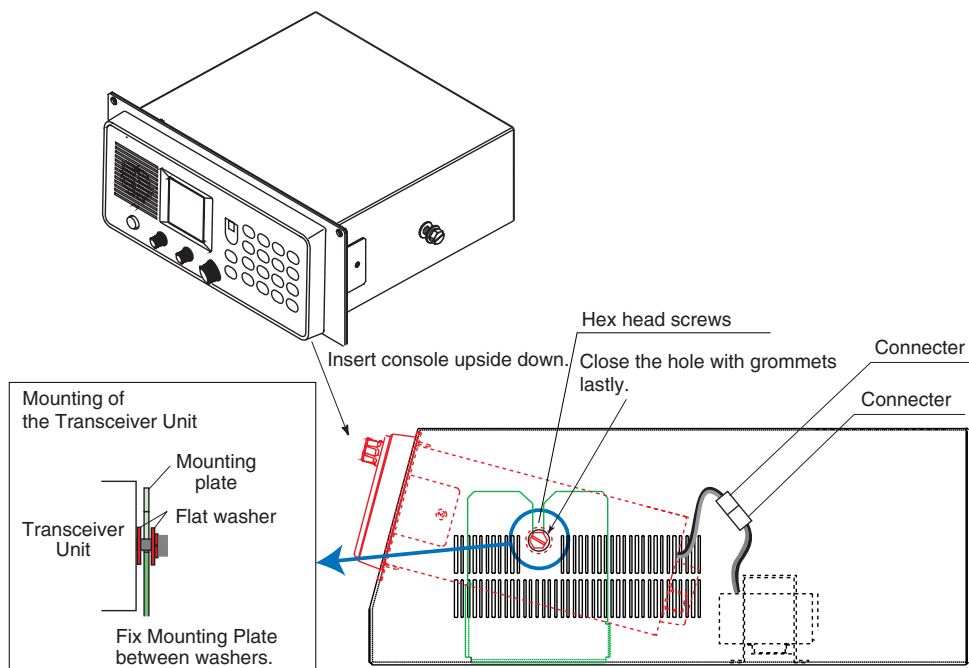
1. Remove the cover assembly, the panel assembly and the printer assembly (or concealing lid) from the console. For the printer assembly, remove the cable connected to the terminal board.



2. Fix the panel assembly to the Transceiver Unit with binding screws (use original binding screws of the Transceiver Unit). Refer to the figure below.
3. Screw in hex bolts M8x16 and flat washers loosely at both sides of the Transceiver Unit.

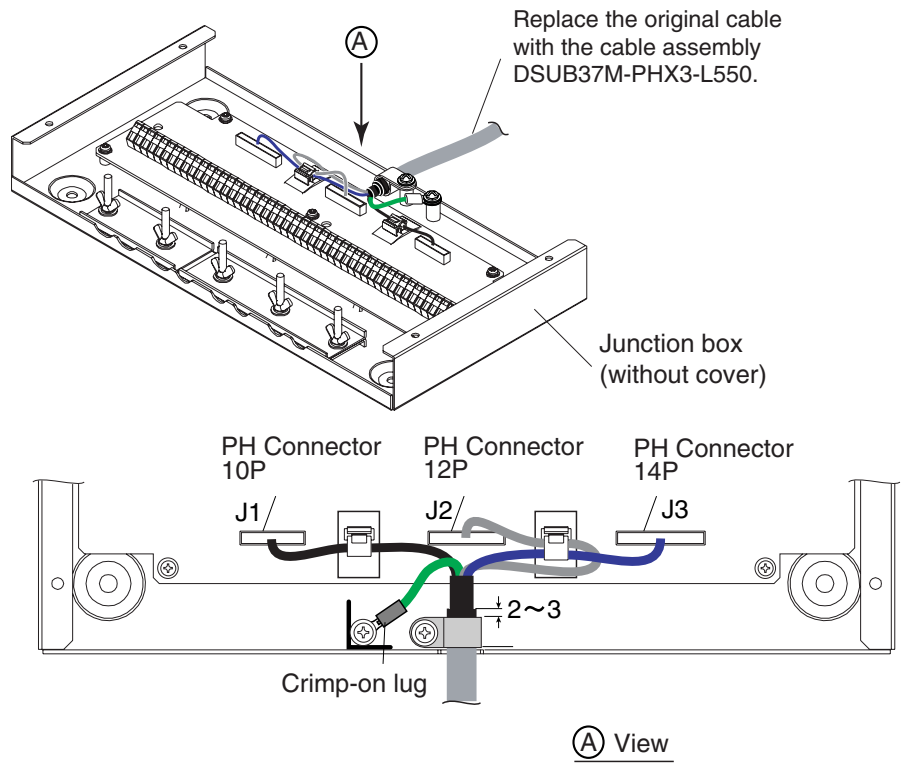


4. Set the Transceiver Unit to the console, remove the grommets from the console and fix the Transceiver Unit with hex bolts using the holes formerly occupied by the grommets.

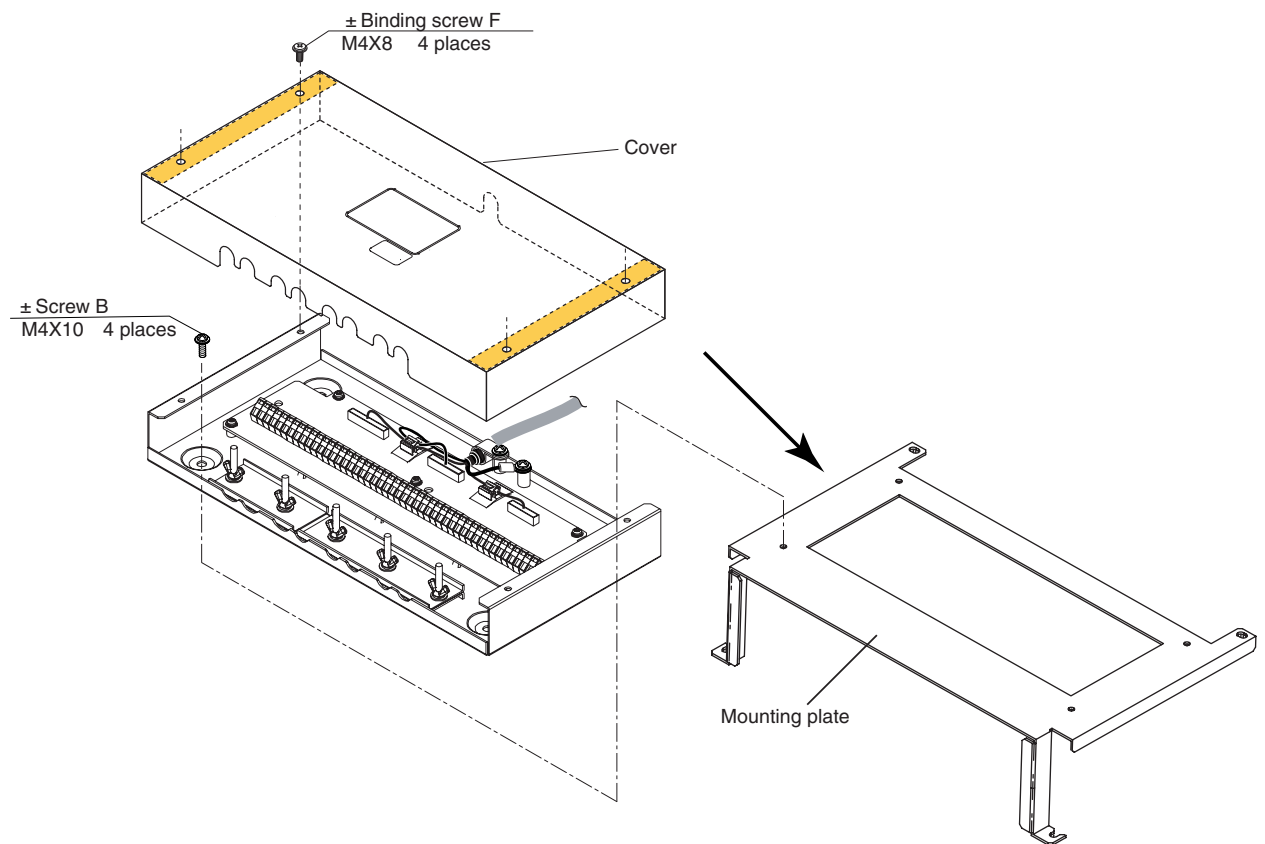


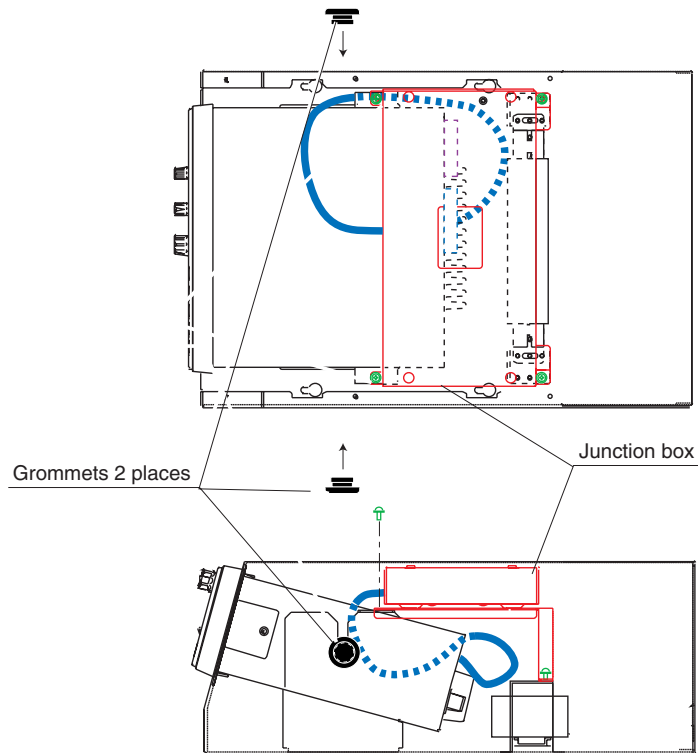
5. Connect connector from the fuse to the power connector derived from the Transceiver Unit.

- Replace the cable attached to junction box with the cable (55 cm, 37-pin D sub) supplied with the console kit.

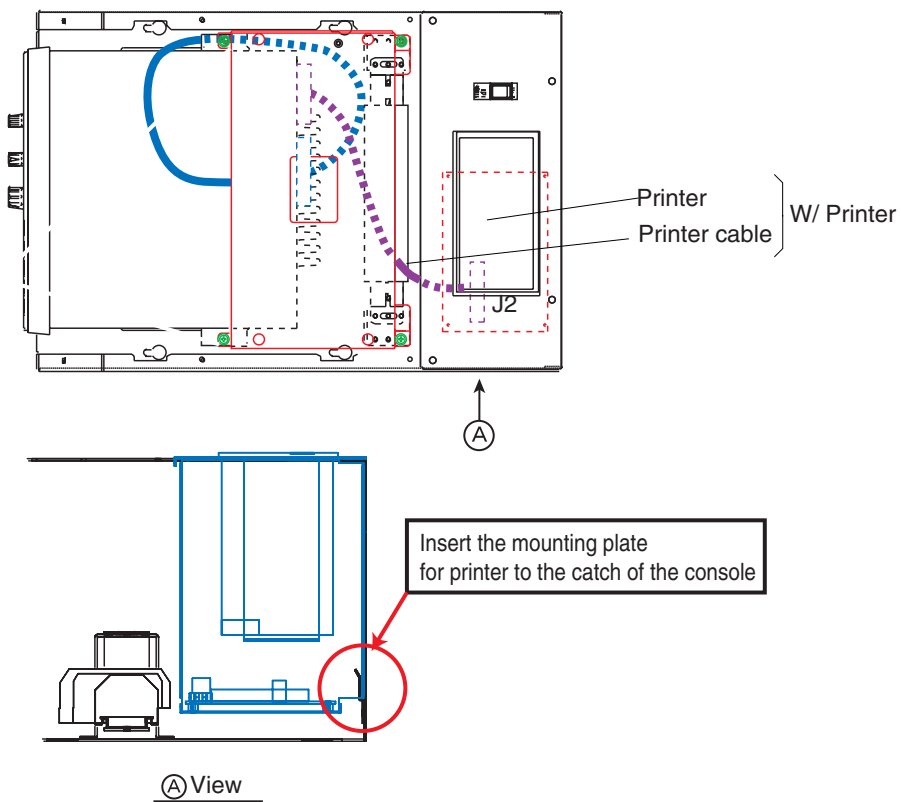


- Connect the cable (37-pin D sub) attached to the junction box to the Transceiver Unit and then mount the junction box on the console.





8. For the console w/printer, connect the printer cable for data transmission to the PRINTER port of the Transceiver Unit and fix the power cable to the terminal board as before. Then, fix the printer assembly to the console. For no printer, fasten the concealing lid to the console.



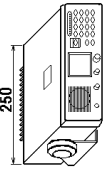

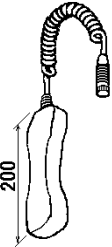
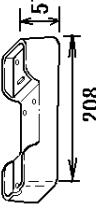

9. Fasten the cover assembly.



NOTE: If the console assembly is to be mounted on the hull, refer to paragraphs 1-9 and 2-10.

PACKING LIST FM-8800(S/D)-(J/E/F)-HS-N

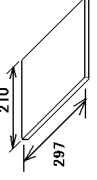
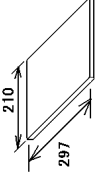
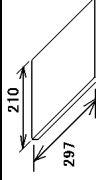
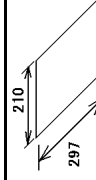
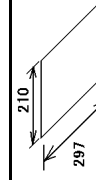
05EC-X-9851-6

1/1

NAME	OUTLINE	DESCRIPTION/CODE	Q'TY
ユニット	UNIT		
送受信機		FM-8800S/D	1
TRANSCEIVER UNIT		000-054-225-00 ***	
予備品	SPARE PARTS	SP05-05501	SP05-05501
予備品		SP05-05501	1
SPARE PARTS		005-377-820-00	
付属品	ACCESSORIES	FP05-05700	FP05-05700
ハンドセット		HS-2003-15	1
HANDSET		000-054-223-00	
ハンドセット用組品		FP05-05510	1
BRACKET FOR HANDSET		005-951-790-00	
付属品		FP05-05511	1
ACCESSORIES		005-951-920-00	

NAME	OUTLINE	DESCRIPTION/CODE	Q'TY
工事材料	INSTALLATION MATERIALS	CP05-09900	CP05-09900
ケーブル組品		05S9371-2	1
CABLE ASSY.		000-151-711-12	
工事材料		CP05-09901	1
INSTALLATION MATERIALS		005-377-800-00	

コード番号末尾の["**"]は、選択品の代表型式/コードを表します。
CODE NUMBER ENDING WITH "***" INDICATES THE CODE NUMBER OF REPRESENTATIVE MATERIAL.

NAME	OUTLINE	DESCRIPTION/CODE	Q'TY
図書	DOCUMENT		
操作要領書		OS*-56420-*	1
OPERATOR'S GUIDE		000-149-933-0* **	
装備要領書		IM*-56420-*	1
INSTALLATION MANUAL		000-149-931-0* **	
取扱説明書		OM*-56420-*	1
OPERATOR'S MANUAL		000-149-929-0* **	
遭難警報刃(VHF/MF)		*52-00101-*	1
VHF/MF DISTRESS ALERT FLOW		000-809-269-0* **	
遭難通信要領書		TIC-56420-*	1
DISTRESS PROCEDURE		000-149-935-0*	

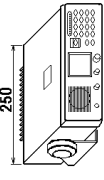
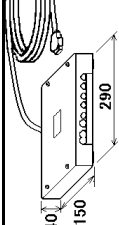
(略図の寸法は、参考値です。DIMENSIONS IN DRAWING FOR REFERENCE ONLY.)

型式/コード番号が2段の場合、下段より上段に代わる通渡期品であり、どちらが入っています。なお、品質は変わりません。
TWO TYPES AND CODES MAY BE LISTED FOR AN ITEM. THE LOWER PRODUCT MAY BE SHIPPED IN PLACE OF THE UPPER PRODUCT. QUALITY IS THE SAME.


PACKING LIST FM-8800(S/D)-(J/E/F)-HS-A/(-HK)

05EC-X-9856 -5


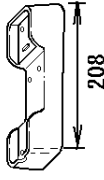
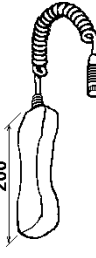
1/1

NAME	OUTLINE	DESCRIPTION/CODE	Q'TY
ユニット	UNIT		
送受信機		FM-8800S/D	1
TRANSCEIVER UNIT		000-054-225-00 **	
ケーブルボックス		IF-8810	1
JUNCTION BOX		000-054-219-00	


予備品 SPARE PARTS

予備品		SP05-05501	1
SPARE PARTS		005-377-820-00	

付属品 ACCESSORIES


付属品		FP05-05511	1
ACCESSORIES		005-951-920-00	
ハンドセット用ブラケット		FP05-05510	1
BRACKET FOR HANDSET		005-951-790-00	
ハンドセット		HS-2003-15	1
HANDSET		000-054-223-00	

工事材料 INSTALLATION MATERIALS


工事材料		CP05-09901	1
INSTALLATION MATERIALS		005-377-800-00	

コード番号末尾の[*]**は、選択品の代表コードを表します。

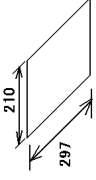
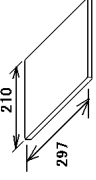
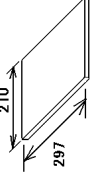
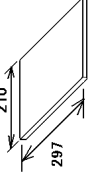
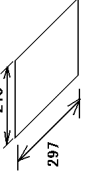
CODE NUMBER ENDING WITH "*****" INDICATES THE CODE NUMBER OF REPRESENTATIVE MATERIAL.

NAME	OUTLINE	DESCRIPTION/CODE	Q'TY
ケーブル組品		05S9371-2	1
CABLE ASSY.		000-151-711-12	

工事材料 CP05-08701

工事材料		CP05-08701	1
INSTALLATION MATERIALS		005-949-280-00	

図書 DOCUMENT

遭難通信要領書		TIC-56420-*	1
DISTRESS PROCEDURE		000-149-935-0*	
操作要領書		OS*-56420-*	1
OPERATOR'S GUIDE		000-149-933-0*	
装備要領書		IM*-56420-*	1
INSTALLATION MANUAL		000-149-931-0*	
取扱説明書		OM*-56420-*	1
OPERATOR'S MANUAL		000-149-929-0*	
遭難警報刃(VHF/MF)		*52-00101-*	1
VHF/MF DISTRESS ALERT FLOW		000-809-269-0*	

型式/コード番号が2段の場合、下段より上段に代わる過渡期品であり、どちらが入っています。なお、品質は変わりません。

(略図の寸法は、参考値です。DIMENSIONS IN DRAWING FOR REFERENCE ONLY.)

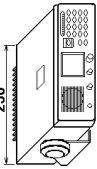

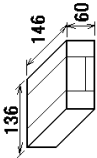


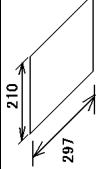
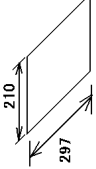
TWO TYPES AND CODES MAY BE LISTED FOR AN ITEM. THE LOWER PRODUCT MAY BE SHIPPED IN PLACE OF THE UPPER PRODUCT. QUALITY IS THE SAME.

PACKING LIST

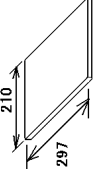
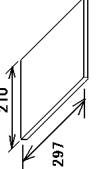
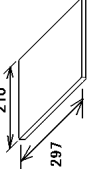
05EC-X-9858 -4

1/1

FM-8800(S/D)-(J/E/F)-MIC-N

NAME	OUTLINE	DESCRIPTION/CODE	Q'TY
ユニット			
送受信機		FM-8800S/D	1
TRANSCIVER UNIT		000-054-225-00	**
予備品	SPARE PARTS		
予備品		SP05-05501	1
SPARE PARTS		005-377-820-00	
付属品	ACCESSORIES		
マイクロフォン箱詰品		DM-2003-F	1
MICROPHONE		005-377-760-00	
工事材料	INSTALLATION MATERIALS		
工事材料		CP05-09901	1
INSTALLATION MATERIALS		005-377-800-00	
ケーブル組品		05S9371-2	1
CABLE ASSY.		000-151-711-12	
図書	DOCUMENT		
遭難警報刃(VHF/MF)		*52-00101-*	1
VHF/MF DISTRESS ALERT FLOW		000-809-269-0*	
遭難通信要領書		TIC-56420-*	1
DISTRESS PROCEDURE		000-149-935-0*	

コード番号末尾の["**"]は、選択品の代表コードを表します。
CODE NUMBER ENDING WITH "**" INDICATES THE CODE NUMBER OF REPRESENTATIVE MATERIAL.

NAME	OUTLINE	DESCRIPTION/CODE	Q'TY
操作要領書		OS*-56420-*	1
OPERATOR'S GUIDE		000-149-933-0*	
装備要領書		IM*-56420-*	1
INSTALLATION MANUAL		000-149-931-0*	
取扱説明書		OM*-56420-*	1
OPERATOR'S MANUAL		000-149-929-0*	

型式/コード番号が2段の場合、下段より上段に代わる通渡期品であり、どちらが入っています。なお、品質は変わりません。

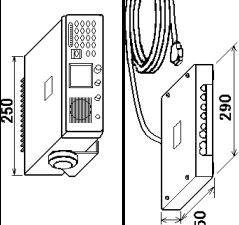
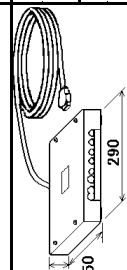

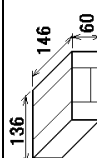



(略図の寸法は、参考値です。DIMENSIONS IN DRAWING FOR REFERENCE ONLY.)

TWO TYPES AND CODES MAY BE LISTED FOR AN ITEM. THE LOWER PRODUCT MAY BE SHIPPED IN PLACE OF THE UPPER PRODUCT. QUALITY IS THE SAME.

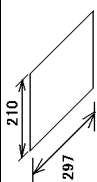
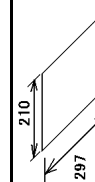
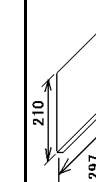
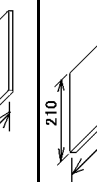
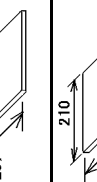
PACKING LIST FM-8800(S/D)-(J/E/F)-MIC-A

05EC-X-9859 -4

1/1

NAME	OUTLINE	DESCRIPTION/CODE	Q'TY
ユニット			
送受信機 TRANSEIVER UNIT		FM-8800S/D 000-054-225-00 **	1
セツ'ガ'コ JUNCTION BOX		IF-8810 000-054-219-00	1
予備品			
予備品 SPARE PARTS		SP05-05501 005-377-820-00	1
付属品			
マイクロホン箱詰品 MICROPHONE		DM-2003-F 005-377-760-00	1
工事材料			
INSTALLATION MATERIALS			
工事材料 INSTALLATION MATERIALS		CP05-09901 005-377-800-00	1
ケーブル組品 CABLE ASSY.		05S9371-2 000-151-711-12	1
工事材料			
INSTALLATION MATERIALS			
工事材料 INSTALLATION MATERIALS		CP05-08701 005-949-280-00	1

コード番号末尾の["**"]は、選択品の代表コードを表します。
CODE NUMBER ENDING WITH "**" INDICATES THE CODE NUMBER OF REPRESENTATIVE MATERIAL.

NAME	OUTLINE	DESCRIPTION/CODE	Q'TY
図書			
DOCUMENT			
遭難警報灯(VHF/MF) VHF/MF DISTRESS ALERT FLOW		*52-00101-* 000-809-269-0*	1
遭難通信要領書 DISTRESS PROCEDURE		TIC-56420-* 000-149-935-0*	1
操作要領書 OPERATOR'S GUIDE		OS*-56420-* 000-149-933-0*	1
装備要領書 INSTALLATION MANUAL		IM*-56420-* 000-149-931-0*	1
取扱説明書 OPERATOR'S MANUAL		OM*-56420-* 000-149-929-0*	1

型式/コード番号が2段の場合、下段より上段に代わる過渡期品であり、どちらかが入っています。なお、品質は変わりません。

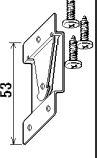
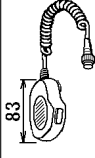
(略図の寸法は、参考値です。DIMENSIONS IN DRAWING FOR REFERENCE ONLY.)

TWO TYPES AND CODES MAY BE LISTED FOR AN ITEM. THE LOWER PRODUCT MAY BE SHIPPED IN PLACE OF THE UPPER PRODUCT. QUALITY IS THE SAME.

PACKING LIST

DM-2003-F


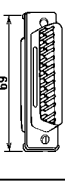

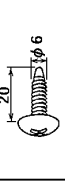
A-5
05EC-X-9857 -1 1/1

NAME	OUTLINE	DESCRIPTION/CODE No.	QTY
マイクセット HOOK		ZIRXCDM002 000-150-017	1
マイクホン MICROPHONE		KON-003 000-150-016	1

(略図の寸法は、参考値です。 DIMENSIONS IN DRAWING FOR REFERENCE ONLY.)
05EC-X-9857

A-6

FURUNO

CODE NO.		005-377-800-00		05EC-X-9401 -3	
TYPE		CP05-09901		1/1	
工事材料表 INSTALLATION MATERIALS					
番号 NO.	名称 NAME	略図 OUTLINE	型名/規格 DESCRIPTIONS	数量 QTY	用途/備考 REMARKS
1	ミニケーブル組品(1) CABLE ASSY.		L-420 CODE NO. 000-151-748-00	1	
2	コネクタ(XM2) CONNECTOR		XM2A-3701 CODE NO. 000-145-424-00	1	
3	ハウジング HOUSING CASE		XM2S-3712 CODE NO. 000-145-423-00	1	
4	セルフタッピングネジ 1/2 SELF-TAPPING SCREW		6X20 SUS304 6X20 SUS304 CODE NO. 000-162-613-10 000-802-084-00	5	

型式/コード番号が2段の場合、下段より上段に代わる通線部品であり、どちらが入っています。なお、品量は変わりません。
TWO TYPES AND CODES MAY BE LISTED FOR AN ITEM. THE LOWER PRODUCT MAY BE SHIPPED IN PLACE OF THE UPPER PRODUCT. QUALITY IS THE SAME.
(略図の寸法は、参考値です。 DIMENSIONS IN DRAWING FOR REFERENCE ONLY.)

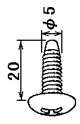
FURUNO ELECTRIC CO., LTD. 05EC-X-9401

FURUNO

CODE NO.	005-949-280-00	05DY-X-9417 -1
TYPE	CP05-08701	1/1

工事材料表

INSTALLATION MATERIALS

番号 NO.	名称 NAME	略図 OUTLINE	型名/規格 DESCRIPTIONS	数量 Q'TY	用途/備考 REMARKS
1	+トネカベ'ネジ' 1/2 SELF-TAPPING SCREW		5X20 SUS304 5X20 SUS304 CODE NO. 000-162-608-10 000-802-081-00	4	

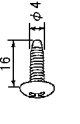
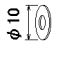
型式/コード番号が2段の場合、下段より上段に代わる標準部品であり、どちらかが入っています。なお、品質は変わりません。
TWO TYPES AND CODES MAY BE LISTED FOR AN ITEM. THE LOWER PRODUCT MAY BE SHIPPED IN PLACE OF THE UPPER PRODUCT. QUALITY IS THE SAME.
(略図の寸法は、参考値です。 DIMENSIONS IN DRAWING FOR REFERENCE ONLY.)

FURUNO

CODE NO.	005-951-920-00	05DZ-X-9502 -2
TYPE	FP05-05511	1/1

付属品表

ACCESSORIES

番号 NO.	名称 NAME	略図 OUTLINE	型名/規格 DESCRIPTIONS	数量 Q'TY	用途/備考 REMARKS
1	+トネカベ'ネジ' 1/2 SELF-TAPPING SCREW		4X16 SUS304 CODE NO. 000-162-605-10	2	
2	ホ'ワシ'ャ WASHER		M4 CODE NO. 000-168-234-10	2	

型式/コード番号が2段の場合、下段より上段に代わる標準部品であり、どちらかが入っています。なお、品質は変わりません。
TWO TYPES AND CODES MAY BE LISTED FOR AN ITEM. THE LOWER PRODUCT MAY BE SHIPPED IN PLACE OF THE UPPER PRODUCT. QUALITY IS THE SAME.
(略図の寸法は、参考値です。 DIMENSIONS IN DRAWING FOR REFERENCE ONLY.)

PACKING LIST

A-11
05EC-X-9861 -4 1/1

RC-8800-*/N/*A-*/HK

NAME	OUTLINE	DESCRIPTION/CODE No.	QTY
ユニット			
VHFコントロール VHF CONSOLE		RC-8800-*/N/*A 000-054-240-00 **	1
付属品			
FP05-05800			
ハンドセット HANDSET		HS-2003-15 000-054-223-00	1
ハンドセットホルダ-組品 BRACKET FOR HANDSET		FP05-05510 005-951-790-00	1
工事材料			
INSTALLATION MATERIALS			
取扱説明書 OPERATOR'S MANUAL		OP05-10201 005-371-850-00	1
操作要領書 OPERATOR'S GUIDE		OS*-56420-* 000-149-929-1* *	1
装備要領書 INSTALLATION MANUAL		IM*-56420-* 000-149-933-1* *	1
遭難警報FM(VHF/MF)		*52-00101-* 000-809-269-1* **	1
VHF/MF DISTRESS ALERT FLOW		TIC-56420-* 000-149-935-1* *	1
遭難通信要領書 DISTRESS PROCEDURE			

コード番号末尾の[*]**は、選用品の代表コードを表します。
CODE NUMBER ENDING WITH "*" INDICATES THE CODE NUMBER OF REPRESENTATIVE MATERIAL.

型式コード番号が2段の場合、下段より上段に代わる過渡期品であり、どちらが入っています。なお、品質は変わりません。
TWO TYPES AND CODES MAY BE LISTED FOR AN ITEM. THE LOWER PRODUCT MAY BE SHIPPED IN PLACE OF THE UPPER PRODUCT. QUALITY IS THE SAME.
(略図の寸法は、参考値です。DIMENSIONS IN DRAWING FOR REFERENCE ONLY.)

05EC-X-9861

FURUNO

工事材料表

番号 NO.	名称 NAME	略図 OUTLINE	型名/規格 DESCRIPTIONS		数量 QTY	用途/備考 REMARKS
			型名/規格 DESCRIPTIONS	数量 QTY		
1	ミニ組品 (1) CABLE ASSY.		L-420	000-151-748	1	Used only Japan
			CODE NO.	005-371-850	05EC-X-9409 -0	
			TYPE	CP05-10201	1/1	

05EC-X-9409

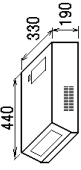

FURUNO ELECTRIC CO., LTD.
(略図の寸法は、参考値です。DIMENSIONS IN DRAWING FOR REFERENCE ONLY.)

PACKING LIST

RC-8800-N/RC-8800-A

05EC-X-9860 -0 1/1



A-14

NAME	OUTLINE	DESCRIPTION/CODE No.	QTY
ユニット コンソール組品 CONSOLE KIT		RC-8800-N 005-371-650 **	1
工事材料 INSTALLATION MATERIALS			
工事材料 INSTALLATION MATERIALS		CP05-10001 005-371-670	1

コード番号末尾の[**]は、選用品の代表コードを表します。
CODE NUMBER ENDING WITH "**" INDICATES THE CODE NUMBER OF REPRESENTATIVE MATERIAL.

(略図の寸法は、参考値です。 DIMENSIONS IN DRAWING FOR REFERENCE ONLY.)
05EC-X-9860

FURUNO

CODE NO.		005-371-670		05EC-X-9408 -1	
TYPE		CP05-10001		1/1	
工事材料表 INSTALLATION MATERIALS					
番号 NO.	名称 NAME	略図 OUTLINE	型名/規格 DESCRIPTIONS	数量 QTY	用途/備考 REMARKS
1	ケーブル組品 CABLE ASSY.		DSUB37M-PHX3-L550 CODE NO. 000-153-297	1	
2	ミニピン組品 (1) CABLE ASSY.		L-420 CODE NO. 000-151-748	1	

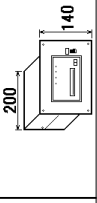
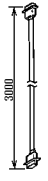


05EC-X-9408

(略図の寸法は、参考値です。 DIMENSIONS IN DRAWING FOR REFERENCE ONLY.)
FURUNO ELECTRIC CO., LTD.

PACKING LIST

PP-8800

05EC-X-9862 -2 1/1 A-15

NAME	OUTLINE	DESCRIPTION/CODE No.	QTY
ユニット			
プリンタ PRINTER UNIT		PP-8800 000-054-127-00 CP05-10100	1
工事材料			
INSTALLATION MATERIALS			
ケーブル組品 CABLE ASSY.		17JE-23250-02 000-138-539-00	1
電源ケーブルDC用 POWER CABLE (FOR DC MAINS)		VCTF0.75X2C *3M* 000-112-543-00	1
図書			
DOCUMENT			
外寸図 (和英) OUTLINE DRAWING (JP/EN)		C5642-G15-* 000-151-762-00	1

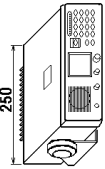


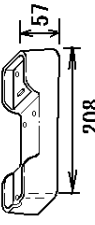
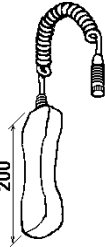


型式・コード番号が2段の場合、下段より上段に代わる過渡期品であり、どちらが入っています。なお、品質は変わりません。
TWO TYPES AND CODES MAY BE LISTED FOR AN ITEM. THE LOWER PRODUCT MAY BE SHIPPED IN PLACE OF THE UPPER PRODUCT. QUALITY IS THE SAME.
(略図の寸法は、参考値です。DIMENSIONS IN DRAWING FOR REFERENCE ONLY.)


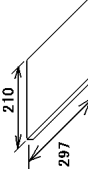
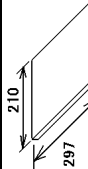
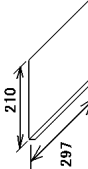
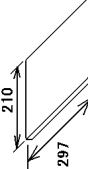
05EC-X-9862

PACKING LIST FM-8800S-R-HS-N

05EC-X-9864 -1

1/1

NAME	OUTLINE	DESCRIPTION/CODE	Q'TY
ユニット	UNIT		
送受信機		FM-8800S-R	1
TRANSCEIVER UNIT		000-054-404-00	
予備品	SPARE PARTS	SP05-05501	
予備品		SP05-05501	1
SPARE PARTS		005-377-820-00	
付属品	ACCESSORIES	FP05-05700	
付属品		FP05-05511	1
ACCESSORIES		005-951-920-00	
ハンドセット用組品		FP05-05510	1
BRACKET FOR HANDSET		005-951-790-00	
ハンドセット		HS-2003-15	1
HANDSET		000-054-223-00	
工事材料	INSTALLATION MATERIALS	CP05-09900	
工事材料		CP05-09901	1
INSTALLATION MATERIALS		005-377-800-00	
ケーブル組品		05S9371-2	1
CABLE ASSY.		000-151-711-12	

NAME	OUTLINE	DESCRIPTION/CODE	Q'TY
図書	DOCUMENT		
遭難通信要領書		TIC-56420-*	1
DISTRESS PROCEDURE		000-149-935-0*	
取扱説明書		OME-56421-*	1
OPERATOR'S MANUAL		000-161-430-0*	
装備要領書		IME-56420-*	1
INSTALLATION MANUAL		000-149-932-0*	
操作要領書		OSE-56420-*	1
OPERATOR'S GUIDE		000-149-934-0*	
遭難警報刃(VHF/MF)		ES2-00101-*	1
VHF/MF DISTRESS ALERT FLOW		000-809-270-0*	

型式/コード番号が2段の場合、下段より上段に代わる通渡期品であり、どちらが入っています。なお、品質は変わりません。

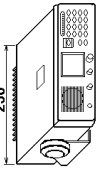

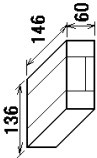


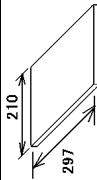
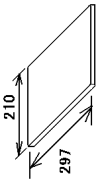
(略図の寸法は、参考値です。DIMENSIONS IN DRAWING FOR REFERENCE ONLY.)

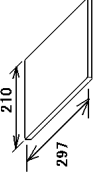
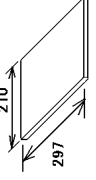
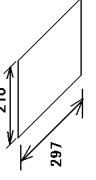
TWO TYPES AND CODES MAY BE LISTED FOR AN ITEM. THE LOWER PRODUCT MAY BE SHIPPED IN PLACE OF THE UPPER PRODUCT. QUALITY IS THE SAME.

PACKING LIST FM-8800S-R-MIC-N

05EC-X-9865 -1

1/1

NAME	OUTLINE	DESCRIPTION/CODE	Q'TY
ユニット			
送受信機		FM-8800S-R	1
TRANSCIVER UNIT		000-054-404-00	
予備品	SPARE PARTS	SP05-05501	SP05-05501
予備品		SP05-05501	1
SPARE PARTS		005-377-820-00	
付属品	ACCESSORIES	FP05-05710	FP05-05710
マイクロフォン箱詰品		DM-2003-F	1
MICROPHONE		005-377-760-00	
工事材料	INSTALLATION MATERIALS	CP05-09900	CP05-09900
工事材料		CP05-09901	1
INSTALLATION MATERIALS		005-377-800-00	
ケーブル組品		05S9371-2	1
CABLE ASSY.		000-151-711-12	
図書	DOCUMENT		
遭難警報刃(VHF/MF)		E52-00101-*	1
VHF/MF DISTRESS ALERT FLOW		000-809-270-0*	
操作要領書		05E-56420-*	1
OPERATOR'S GUIDE		000-149-934-0*	

NAME	OUTLINE	DESCRIPTION/CODE	Q'TY
装備要領書		IME-56420-*	1
INSTALLATION MANUAL		000-149-932-0*	
取扱説明書		OME-56421-*	1
OPERATOR'S MANUAL		000-161-430-0*	
遭難通信要領書		TIC-56420-*	1
DISTRESS PROCEDURE		000-149-935-0*	

(略図の寸法は、参考値です。DIMENSIONS IN DRAWING FOR REFERENCE ONLY.)

型式/コード番号が2段の場合、下段より上段に代わる過渡期品であり、どちらが入っています。なお、品質は変わりません。

TWO TYPES AND CODES MAY BE LISTED FOR AN ITEM. THE LOWER PRODUCT MAY BE SHIPPED IN PLACE OF THE UPPER PRODUCT. QUALITY IS THE SAME.

PACKING LIST FM-8800S-R-HS-A

05EC-X-9866 -0

1/1

NAME	OUTLINE	DESCRIPTION/CODE	Q'TY
ユニット			
セツクボックス JUNCTION BOX		IF-8810 000-054-219-00	1
送受信機 TRANSEIVER UNIT		FM-8800S-R 000-054-404-00	1
予備品			
予備品 SPARE PARTS		SP05-05501 005-377-820-00	1
付属品			
ACCESSORIES			
ハンドセット HANDSET		HS-2003-15 000-054-223-00	1
ハンドセット用組品 BRACKET FOR HANDSET		FP05-05510 005-951-790-00	1
付属品 ACCESSORIES		FP05-05511 005-951-920-00	1
工事材料			
INSTALLATION MATERIALS			
ケーブル組品 CABLE ASSY.		05S9371-2 000-151-711-12	1

NAME	OUTLINE	DESCRIPTION/CODE	Q'TY
工事材料			
INSTALLATION MATERIALS			
工事材料 INSTALLATION MATERIALS		CP05-09901 005-377-800-00	1
工事材料			
INSTALLATION MATERIALS			
工事材料 INSTALLATION MATERIALS		CP05-08701 005-949-280-00	1
図書			
DOCUMENT			
遭難通信要領書 DISTRESS PROCEDURE		TIC-56420- 000-149-935-0*	1
取扱説明書 OPERATOR'S MANUAL		OME-56421- 000-161-430-0*	1
装備要領書 INSTALLATION MANUAL		IME-56420- 000-149-932-0*	1
操作要領書 OPERATOR'S GUIDE		OSE-56420- 000-149-934-0*	1
遭難警報刃(VHF/MF) VHF/MF DISTRESS ALERT FLOW		E52-00101- 000-809-270-0*	1

A-18

型式/コード番号が2段の場合、下段より上段に代わる過渡期品であり、どちらが入っています。なお、品質は変わりません。

(略図の寸法は、参考値です。DIMENSIONS IN DRAWING FOR REFERENCE ONLY.)

TWO TYPES AND CODES MAY BE LISTED FOR AN ITEM. THE LOWER PRODUCT MAY BE SHIPPED IN PLACE OF THE UPPER PRODUCT. QUALITY IS THE SAME. THE LOWER PRODUCT MAY BE SHIPPED IN PLACE OF THE UPPER PRODUCT. QUALITY IS THE SAME.

05EC-X-9866

PACKING LIST FM-8800S-R-MIC-A

05EC-X-9867 -0

1/1

NAME	OUTLINE	DESCRIPTION/CODE	Q'TY
ユニット			
セツクボックス JUNCTION BOX		IF-8810 000-054-219-00	1
送受信機 TRANSMITTER UNIT		FM-8800S-R 000-054-404-00	1
予備品 SPARE PARTS SP05-05501			
予備品 SPARE PARTS		SP05-05501 005-377-820-00	1
付属品 ACCESSORIES FP05-05710			
マイクロホン箱詰品 MICROPHONE		DM-2003-F 005-377-760-00	1
工事材料 INSTALLATION MATERIALS CP05-09900			
工事材料 INSTALLATION MATERIALS		CP05-09901 005-377-800-00	1
ケーブル組品 CABLE ASSY.		05S9371-2 000-151-711-12	1
工事材料 INSTALLATION MATERIALS CP05-08701			
工事材料 INSTALLATION MATERIALS		CP05-08701 005-949-280-00	1

NAME	OUTLINE	DESCRIPTION/CODE	Q'TY
図書 DOCUMENT			
遭難警報灯(VHF/MF)		E52-00101-*	1
VHF/MF DISTRESS ALERT FLOW		000-809-270-0*	
操作要領書 OPERATOR'S GUIDE		05E-56420-*	1
装備要領書 INSTALLATION MANUAL		000-149-934-0*	
取扱説明書 OPERATOR'S MANUAL		IME-56420-*	1
遭難通信要領書 DISTRESS PROCEDURE		000-149-932-0*	
		OME-56421-*	1
		000-161-430-0*	
		TIC-56420-*	1
		000-149-935-0*	

A-19

型式/コード番号が2段の場合、下段より上段に代わる過渡期品であり、どちらかが入っています。なお、品質は変わりません。

TWO TYPES AND CODES MAY BE LISTED FOR AN ITEM. THE LOWER PRODUCT MAY BE SHIPPED IN PLACE OF THE UPPER PRODUCT. QUALITY IS THE SAME.

(略図の寸法は、参考値です。DIMENSIONS IN DRAWING FOR REFERENCE ONLY.)

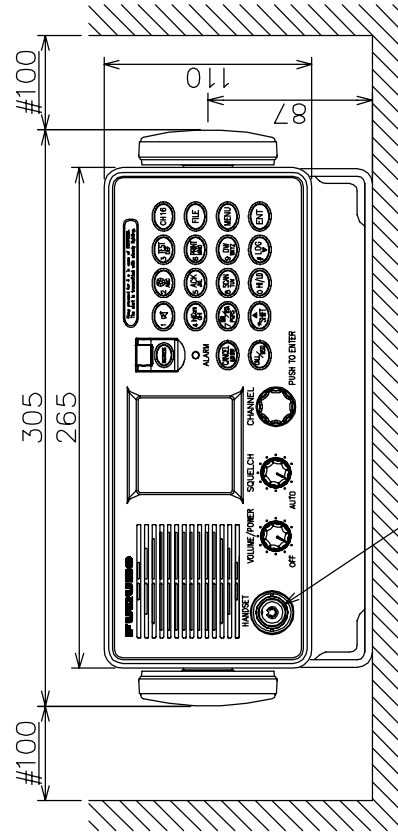
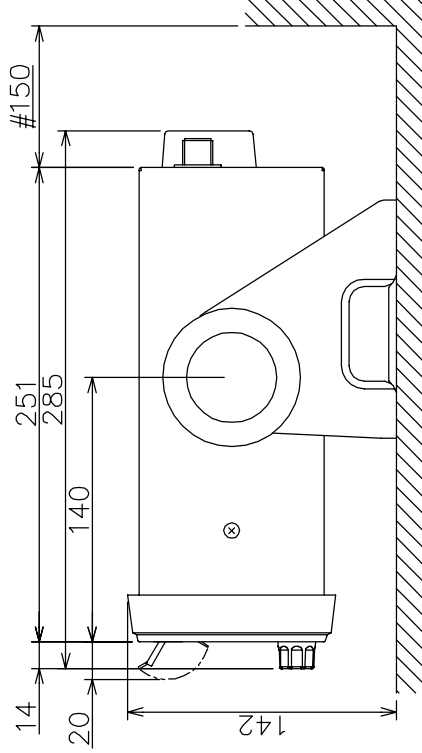
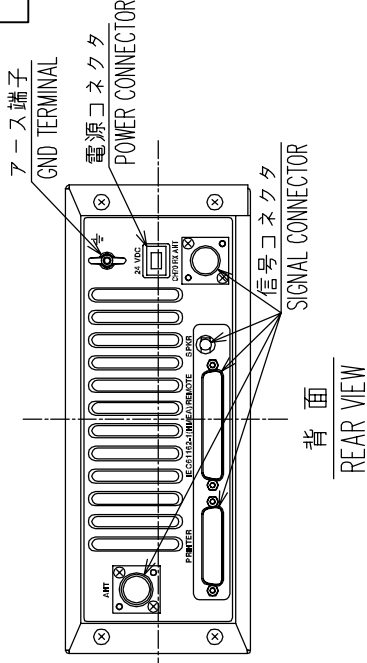
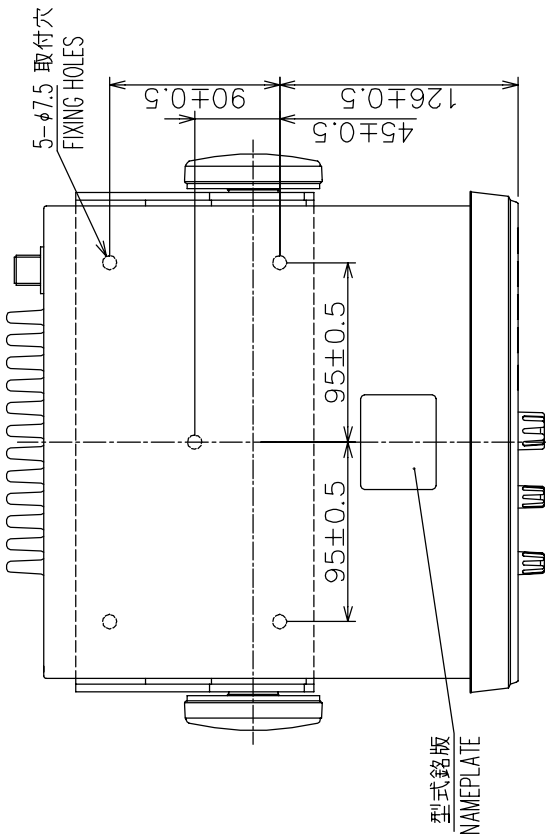
05EC-X-9867

表 1 TABLE 1

寸法区分 (mm) DIMENSIONS	公差 (mm) TOLERANCE
L ≤ 50	± 1.5
50 < L ≤ 100	± 2.5
100 < L ≤ 500	± 3

表 2 TABLE 2

機種名 MODEL	質量 (kg±10%) MASS
FM-8800S	5.5
FM-8800D	6.4

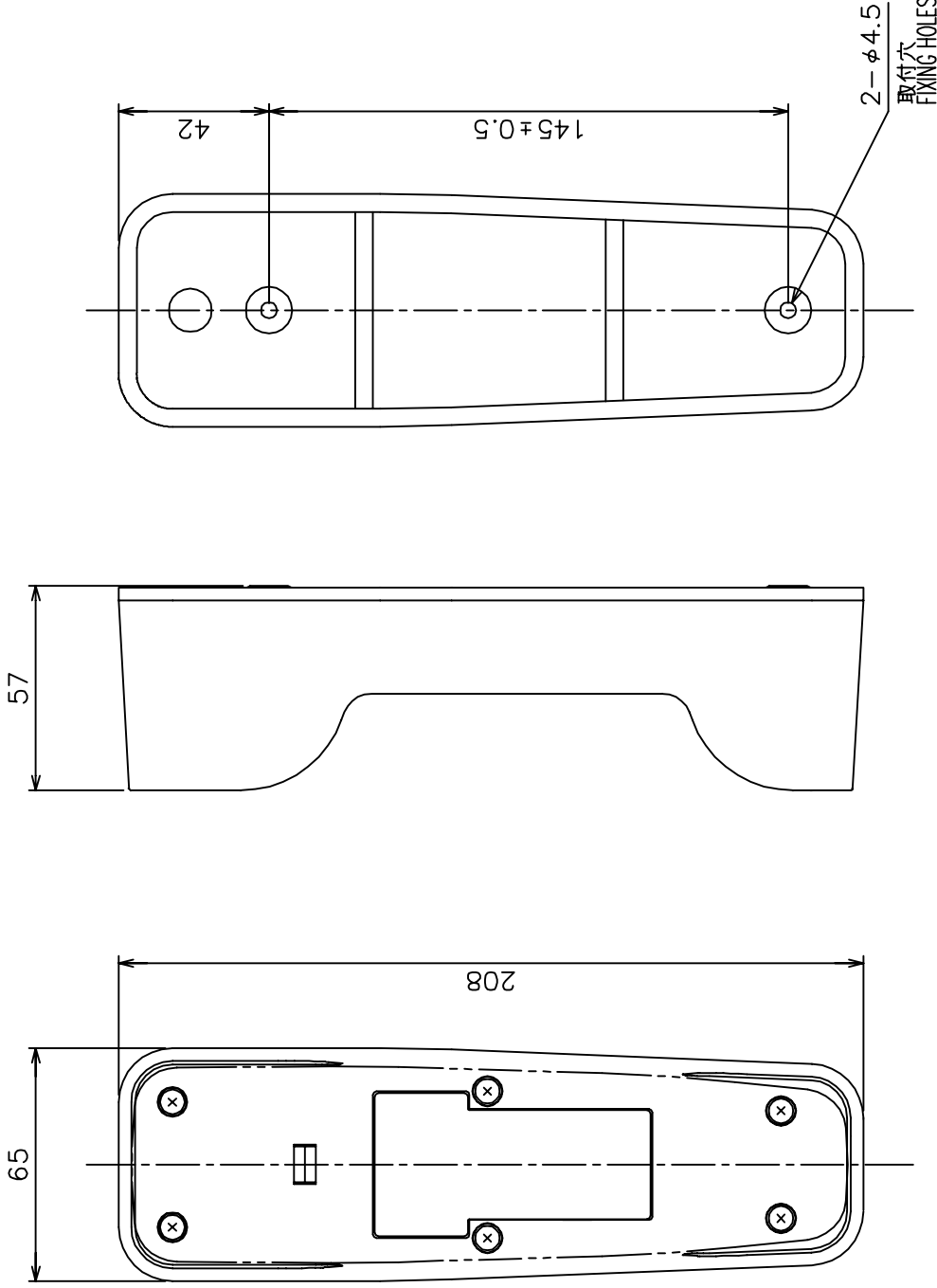


- 注 記 1) # 印寸法は最小サービスクリアランスとする。
 2) 指定外の寸法公差は表 1 による。
 3) 取付用ネジは + トラスタップピンネジ 6 × 2.0 を使用のこと。
- NOTE 1. # MINIMUM SERVICE CLEARANCE.
 2. TABLE 1 INDICATES TOLERANCE OF DIMENSIONS WHICH IS NOT SPECIFIED.
 3. USE SELF-TAPPING SCREWS 6x2.0 FOR FIXING THE UNIT.

DRAWN	Sep. 22, '04 E. MIYOSHI	TITLE	FM-8800S/D
CHECKED	T. TAKAHASHI	名称	送受信機 (卓上装備)
APPROVED	Y. Hatai	外寸図	
SCALE	1/4 MASS 表 2 参照 TABLE 2	NAME	RECEIVER UNIT (TABLETOP MOUNT)
DWG. No.	C5642-G01-A		OUTLINE DRAWING

表 1 TABLE 1

寸法区分 (mm) DIMENSIONS	公差 (mm) TOLERANCE
$L \leq 50$	± 1.5
$50 < L \leq 100$	± 2.5
$100 < L \leq 500$	± 3



- 注記 1) 指定外の寸法公差は表 1 による。
 2) 取付用ネジは + トラスタップピンネジ 4 x 16 を使用のこと。
- NOTE 1. TABLE 1 INDICATES TOLERANCE OF DIMENSIONS WHICH IS NOT SPECIFIED.
 2. USE SELF-TAPPING SCREWS 4x16 FOR FIXING THE UNIT.

DRAWN Dec. 10, '04	E. MIYOSHI	TITLE	FP05-05510
CHECKED	TAKAHASHI, T	名称	ハンドセットハンガー
APPROVED	Y. Hatai	外寸図	
SCALE	1/2	質量	0.30 kg
FIG. No.	C5636-608-B		05-089-401G-2
		NAME	HANDSET HANGER
			OUTLINE DRAWING

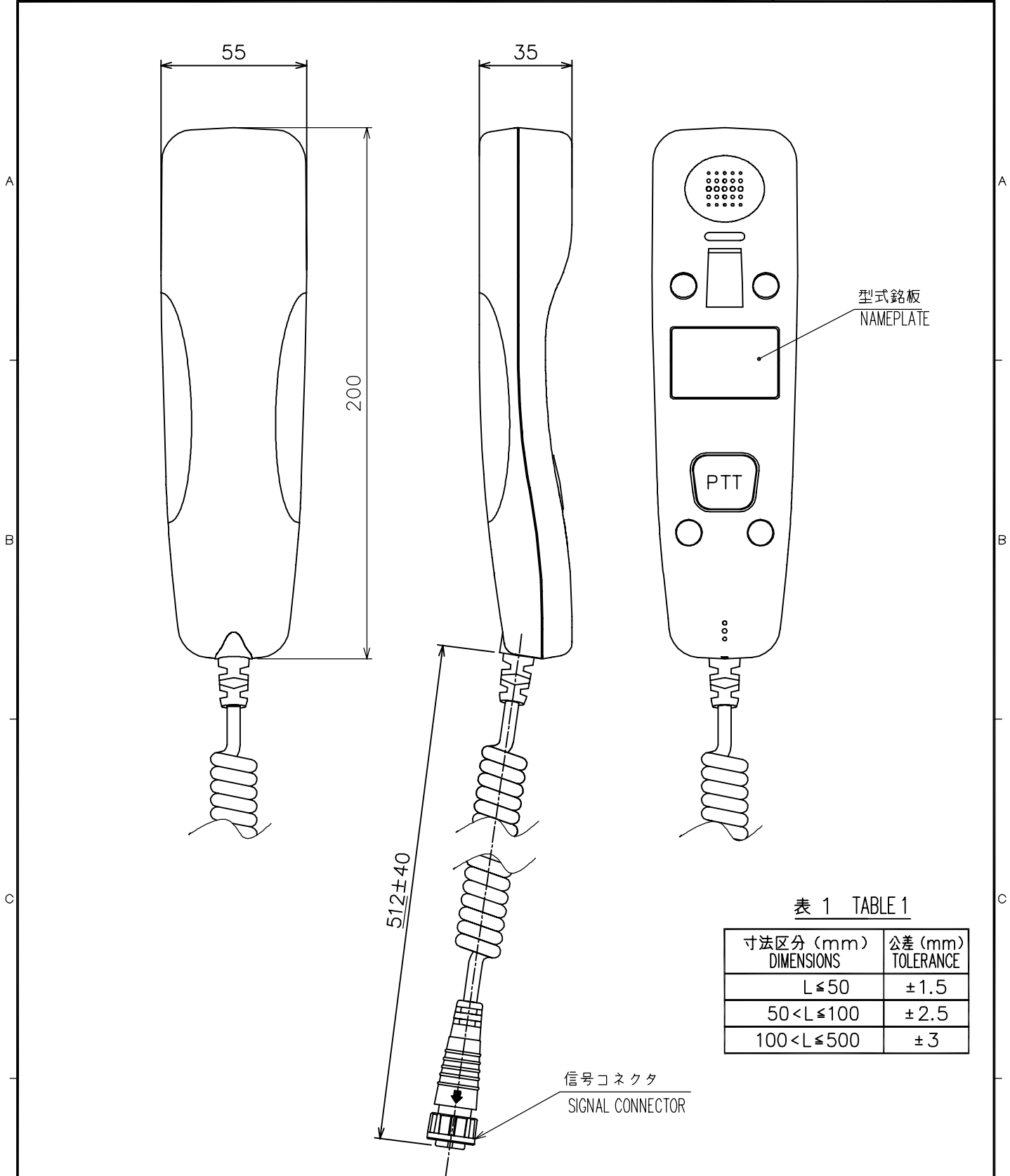


表 1 TABLE 1

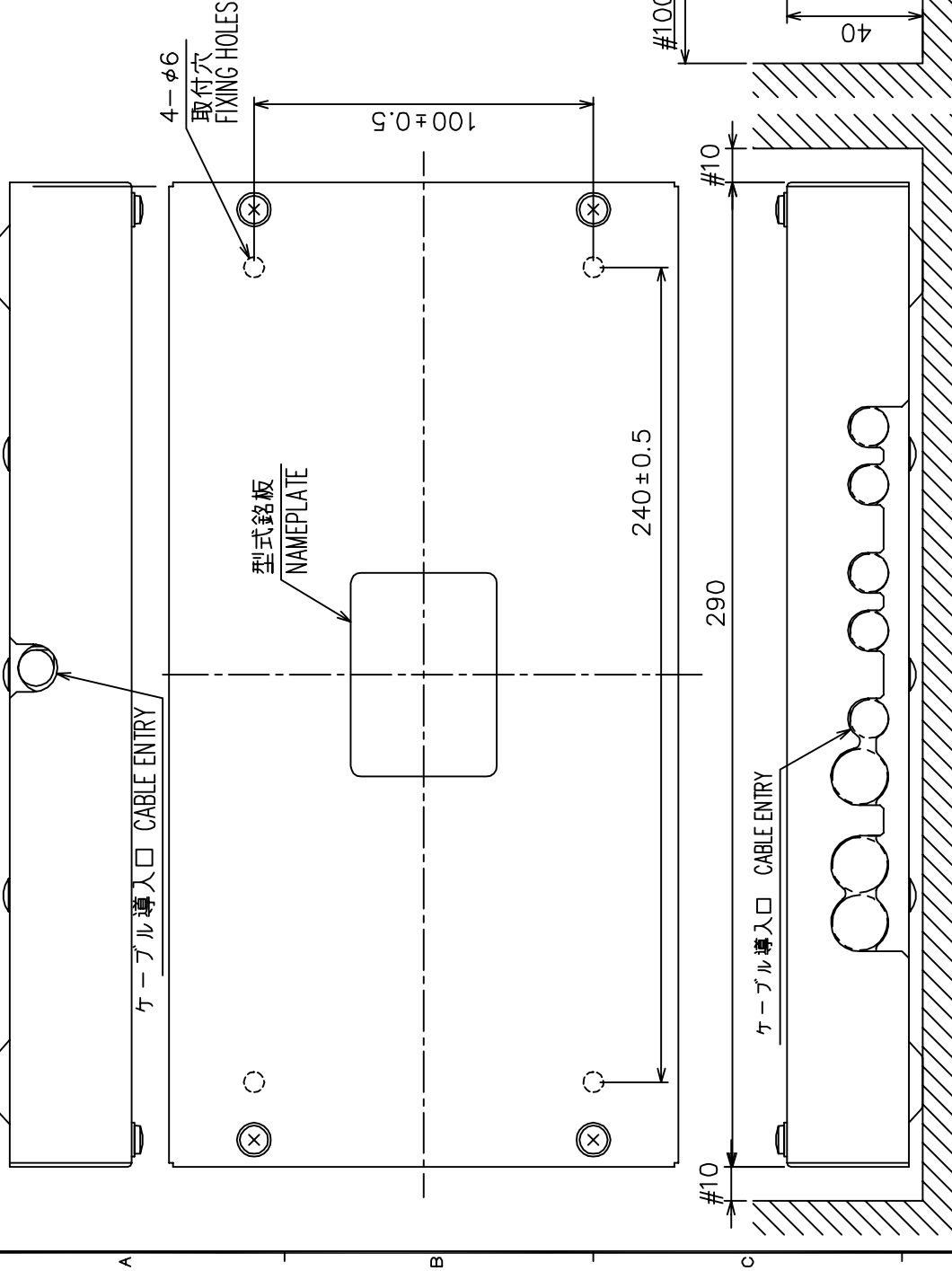
寸法区分 (mm) DIMENSIONS	公差 (mm) TOLERANCE
$L \leq 50$	± 1.5
$50 < L \leq 100$	± 2.5
$100 < L \leq 500$	± 3

注 記 指定外の寸法公差は表 1 による。
 NOTE TABLE 1 INDICATES TOLERANCE OF DIMENSIONS WHICH IS NOT SPECIFIED.

DRAWN Dec. 10 '04 E. MIYOSHI	TITLE HS-2003
CHECKED TAKAHASHI. T	名称 ハンドセット
APPROVED Y. Hatai	外寸図
SCALE 1/2 MASS 0.20 ^{±10%} kg	NAME HANDSET
DWG.No. C5642-G10-C	05-093-200G-2 OUTLINE DRAWING

表 1 TABLE 1

寸法区分 (mm) DIMENSIONS	公差 (mm) TOLERANCE
$L \leq 50$	± 1.5
$50 < L \leq 100$	± 2.5
$100 < L \leq 500$	± 3

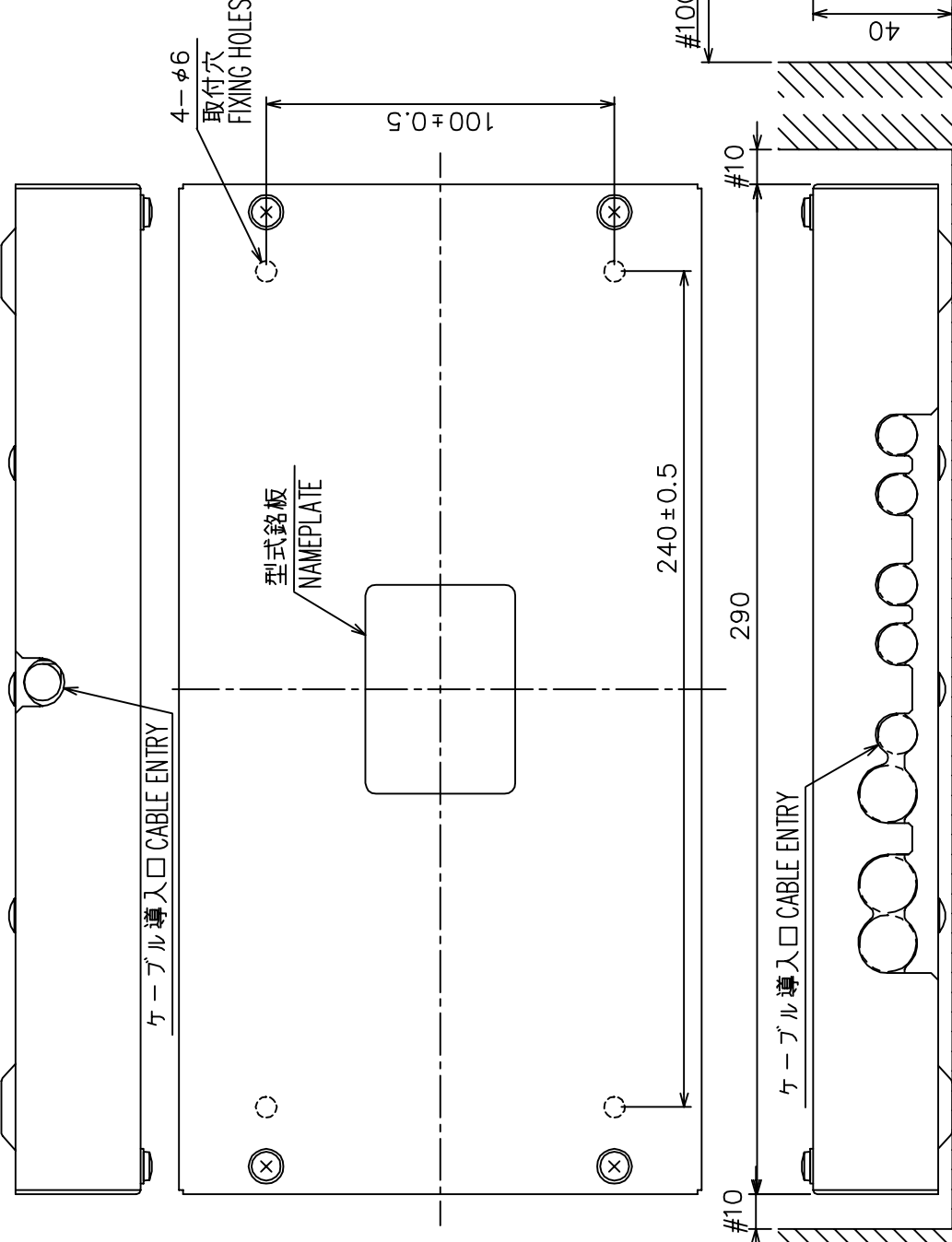


- 注記 1) #印寸法は最小サービス空間寸法とする。
 2) 指定外の寸法公差は表1による。
 3) 取付用ネジは+トラスタップピンネジ呼び径5×20を使用のこと。
- NOTE 1. #: MINIMUM SERVICE CLEARANCE.
 2. TABLE 1 INDICATES TOLERANCE OF DIMENSIONS WHICH IS NOT SPECIFIED.
 3. USE SELF-TAPPING SCREWS 5x20 FOR FIXING THE UNIT.

DRAWN CHECKED	Sep. 3, '04 TAKAHASHI, T	EMIKYOSHI	TITLE 名義	IF-8810 接続箱
APPROVED	Y. Hatai	FM-8800S/D	NAME JUNCTION BOX	外寸図
SCALE	1/2	WASS 2.5 kg	OUTLINE DRAWING	
DMC.No.	C5642-603-C	05-093-400G-1		

表 1 TABLE 1

寸法区分 (mm) DIMENSIONS	公差 (mm) TOLERANCE
L ≤ 50	± 1.5
50 < L ≤ 100	± 2.5
100 < L ≤ 500	± 3



注 記 1) #印寸法は最小サービス空間寸法とする。
 2) 指定外の寸法公差は表 1 による。
 3) 取付用ネジは +トラスタップピンネジ呼び径 5 × 20 を使用のこと。

NOTE 1. # MINIMUM SERVICE CLEARANCE.
 2. TABLE 1 INDICATES TOLERANCE OF DIMENSIONS WHICH IS NOT SPECIFIED.
 3. USE SELF-TAPPING SCREWS 5x20 FOR FIXING THE UNIT.

DRAWN CHECKED	Sup. 22 '04 TAKAHASHI, T	FILE #	IF-8820
APPROVED	Y. Hatai	FM-8800S/d	DMCインターフェイス
SCALE	1/2	MASS 1.5	外寸図
DMC No.	C5642-G04-C	05-093-5006-2	DMC INTERFACE UNIT
			OUTLINE DRAWING

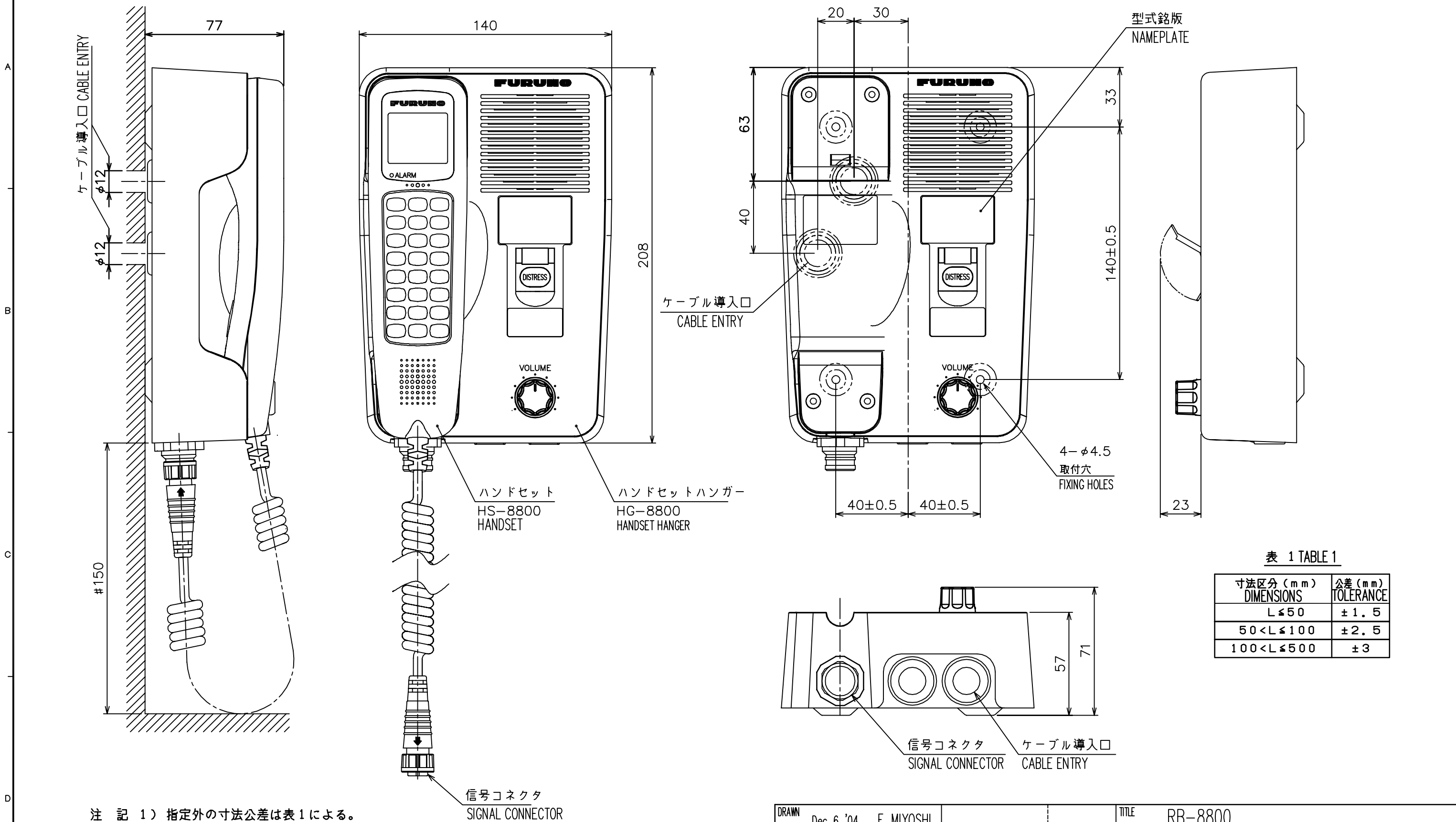
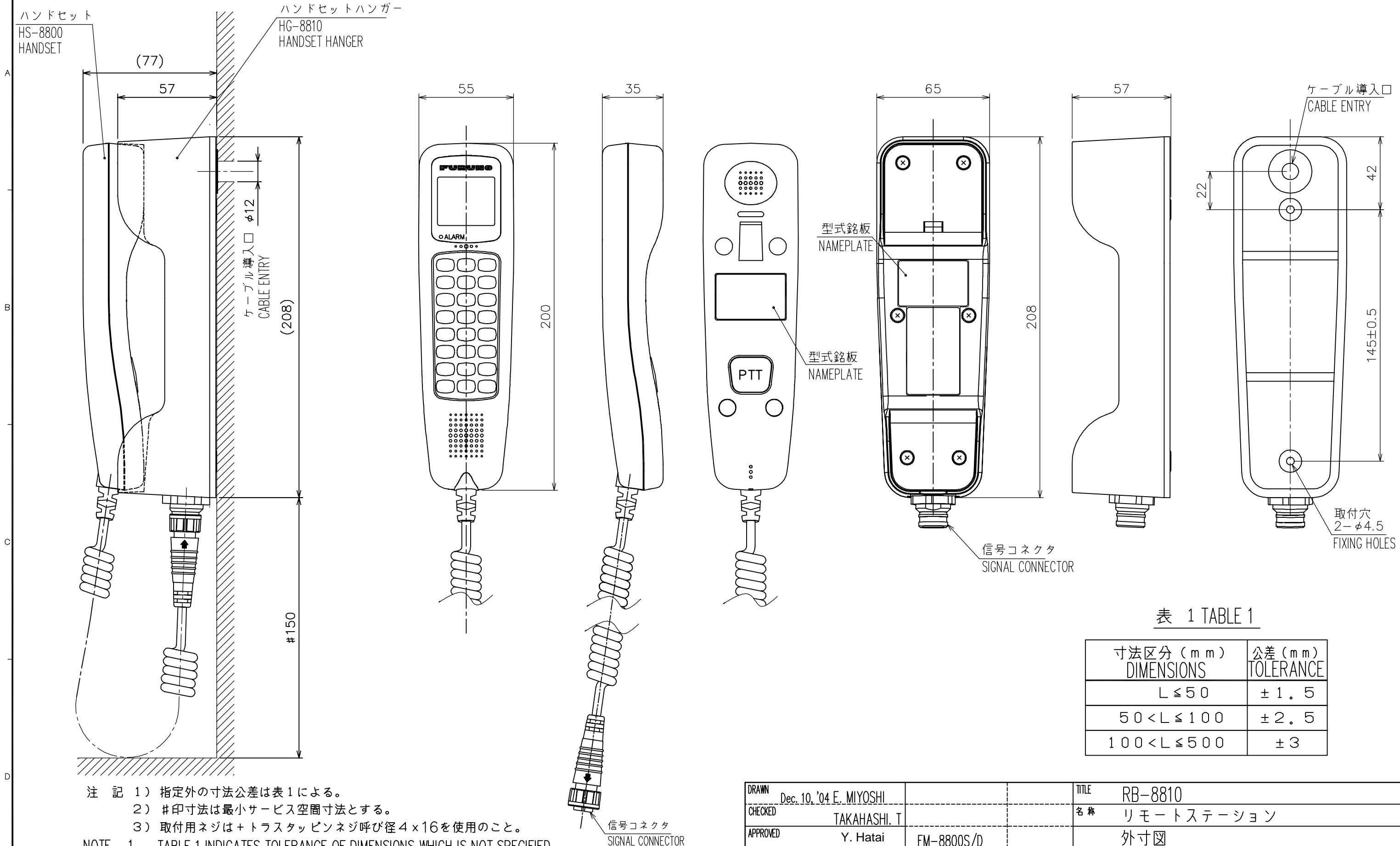


表 1 TABLE 1

寸法区分 (mm) DIMENSIONS	公差 (mm) TOLERANCE
L ≤ 50	±1.5
50 < L ≤ 100	±2.5
100 < L ≤ 500	±3

- 注 記 1) 指定外の寸法公差は表 1 による。
 2) #印寸法は最小サービス空間寸法とする。
 3) 取付用ネジは+トラスタップネジ呼び径4×20を使用のこと。
- NOTE 1. TABLE 1 INDICATES TOLERANCE OF DIMENSIONS WHICH IS NOT SPECIFIED.
 2. #: MINIMUM SERVICE CLEARANCE.
 3. USE SELF-TAPPING SCREWS 4x20 FOR FIXING THE UNIT.

DRAWN	Dec. 6, '04	E. MIYOSHI	TITLE	RB-8800
CHECKED		TAKAHASHI, T	名称	リモートステーション
APPROVED		Y. Hatai	FM-8800S/D	外寸図
SCALE	1/2	質量 1.1 ±10% kg	質量はハンドセット・ハンガーを含む。 MASS W/ HANDSET AND HANGER	NAME
DWG.No.	C5642-G02-A	05-093-300G-3		REMOTE STATION
				OUTLINE DRAWING



注 記 1) 指定外の寸法公差は表 1 による。
 2) #印寸法は最小サービス空間寸法とする。
 3) 取付用ネジは+トラスタップピンネジ呼び径4×16を使用のこと。

NOTE 1. TABLE 1 INDICATES TOLERANCE OF DIMENSIONS WHICH IS NOT SPECIFIED.
 2. #: MINIMUM SERVICE CLEARANCE.
 3. USE SELF-TAPPING SCREWS 4x16 FOR FIXING THE UNIT.

表 1 TABLE 1

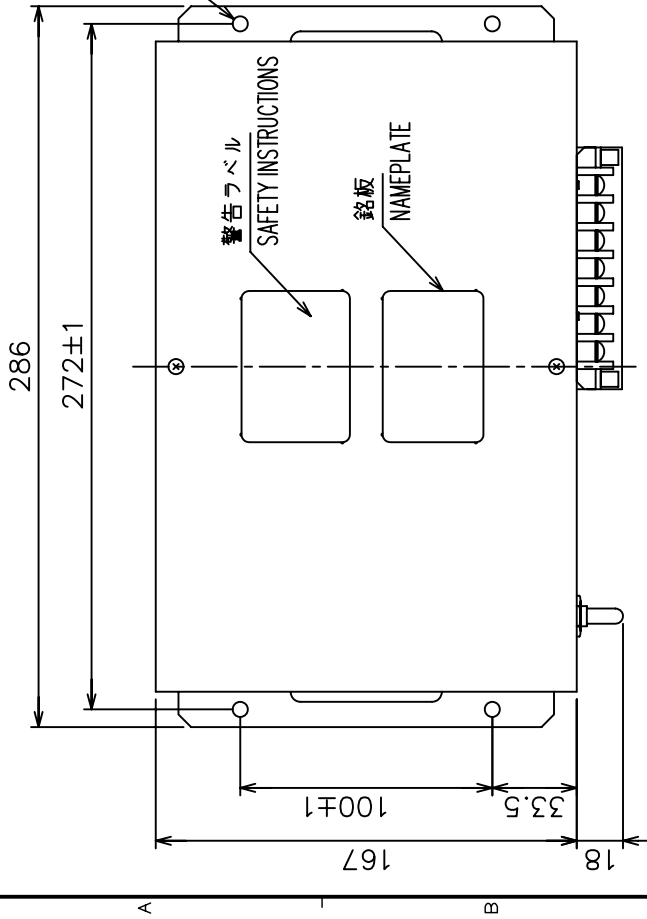
寸法区分 (mm) DIMENSIONS	公差 (mm) TOLERANCE
L ≤ 50	± 1.5
50 < L ≤ 100	± 2.5
100 < L ≤ 500	± 3

DRAWN	Dec. 10, '04 E. MIYOSHI	TITLE	RB-8810
CHECKED	TAKAHASHI, T	名称	リモートステーション
APPROVED	Y. Hatai	FM-8800S/D	外寸図
SCALE	1/2	MASS 0.7 ±10% kg	質量はハンドセット・ハンガーを含む。 MASS W/ HANDSET AND HANGER
DWG.No.	C5642-G09-A	05-093-310G-2	REMOTE STATION OUTLINE DRAWING

表 1 TABLE 1

寸法区分 (mm) DIMENSION	公差 (mm) TOLERANCE
L ≤ 50	± 1.5
50 < L ≤ 100	± 2.5
100 < L ≤ 500	± 3

4-φ6取付穴
FIXING HOLES

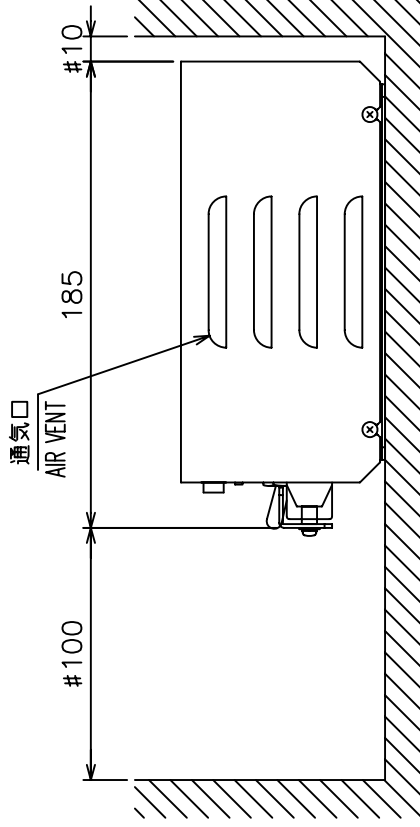
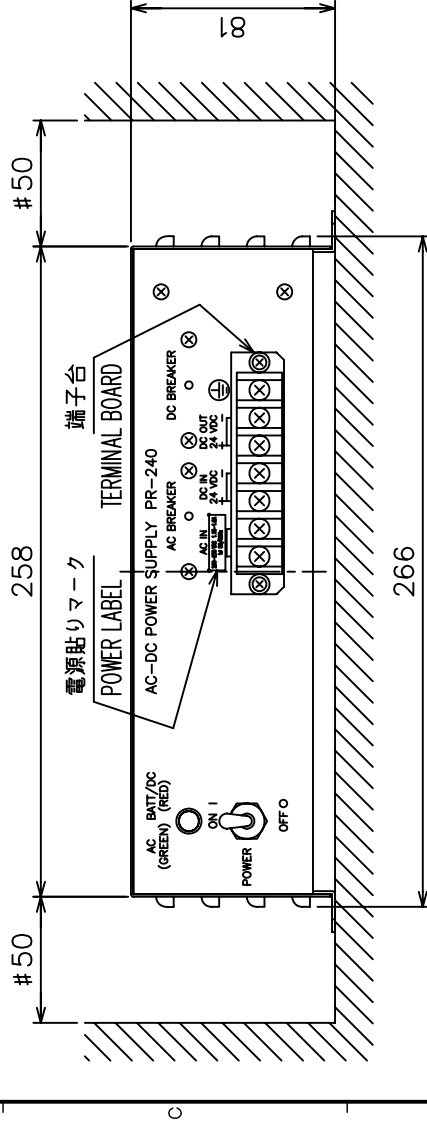


100-115 VACの時 200-230 VACの時

100-115 VAC 2.3-2.0A
1φ 50/60Hz

200-230 VAC 1.15-1.0A
1φ 50/60Hz

電源貼りマーク (尺度 1 : 1)
POWER LABEL (SCALE 1:1)



- 注記 1) 指定なき寸法公差は表 1 による。
 2) #印寸法は推奨する最小サービスペース寸法とする。
 3) 取付用ネジはプラスタツピンネジ 呼び径 4 x 1.6 を使用のこと。
- NOTE 1. TABLE 1 INDICATES TOLERANCE OF DIMENSIONS WHICH IS NOT SPECIFIED.
 2. # MINIMUM SERVICE CLEARANCE.
 3. USE TAPPING SCREWS φ4x1.6 FOR FIXING THE UNIT.

DRAWN	Apr. 19 '07	I. YAMASAKI	TITLE	PR-240
CHECKED	Apr. 19 '07	T. TAKENO	名#	AC/DC電源ユニット
APPROVED	Apr. 20 '07	R. Esumi	外寸図	
SCALE	1/3	M/S 2, 8	NAME	AC/DC POWER SUPPLY UNIT
DWG. No.	C5003-G03-G	REF. No.	24-003-500G-3	OUTLINE DRAWING

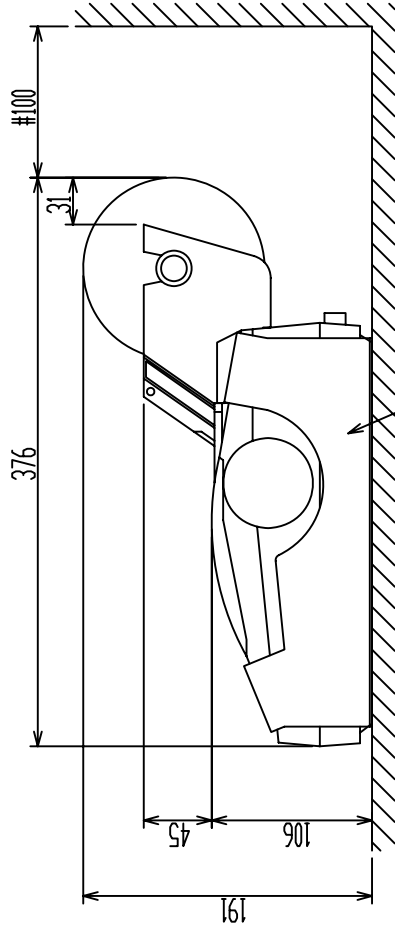
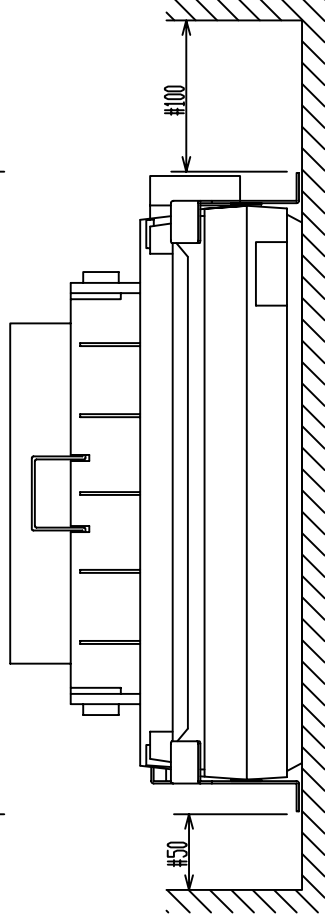
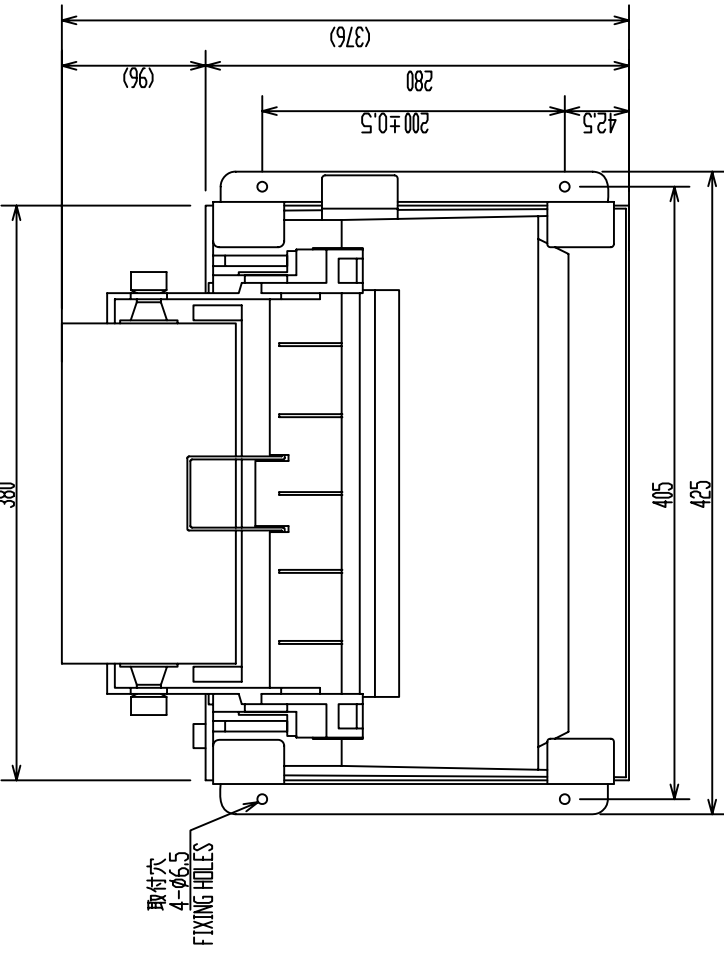
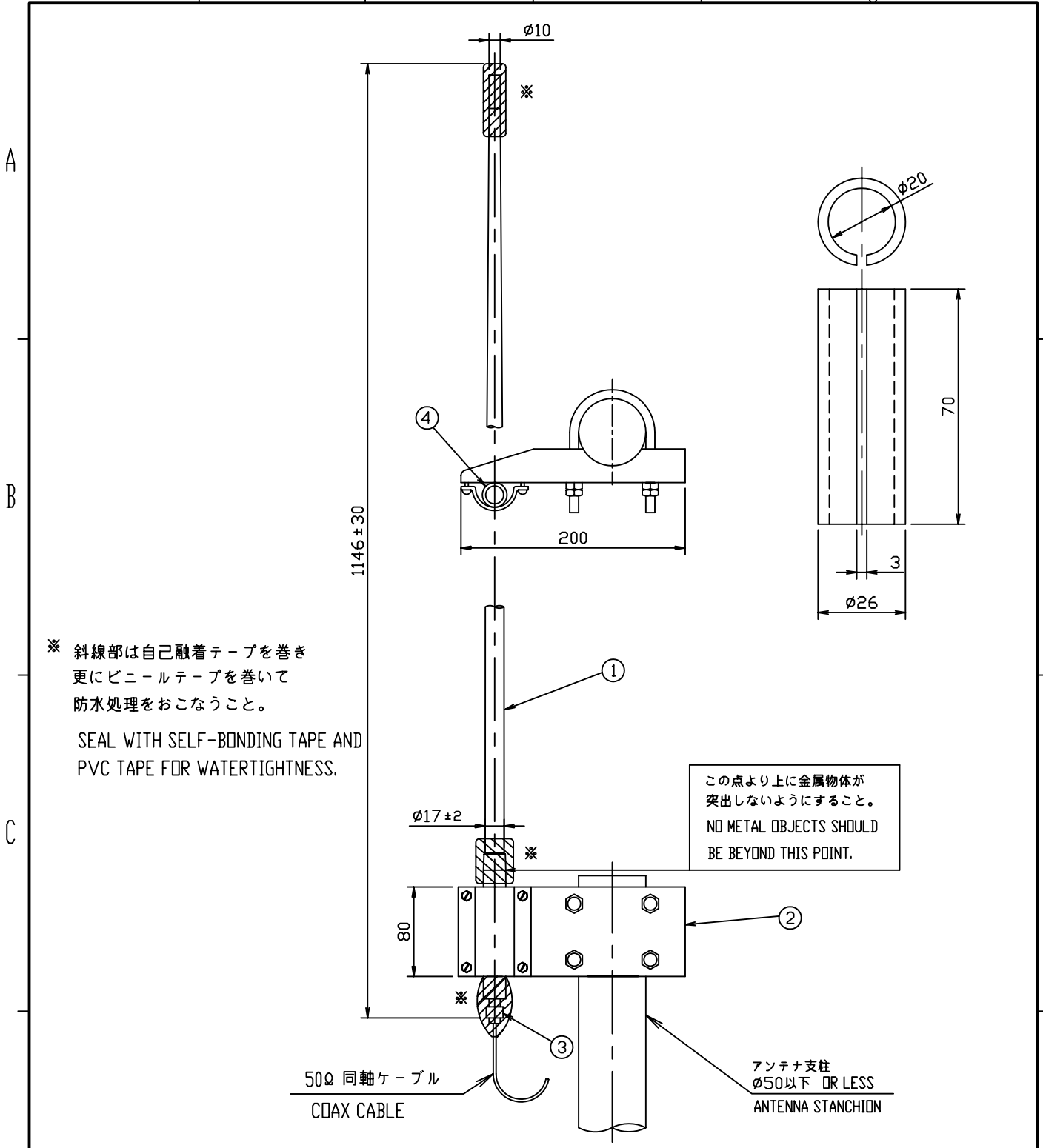


表 1 TABLE 1

寸法区分 (mm) DIMENSIONS	公差 (mm) TOLERANCE
0 < L ≤ 50	± 1.5
50 < L ≤ 100	± 2.5
100 < L ≤ 500	± 3

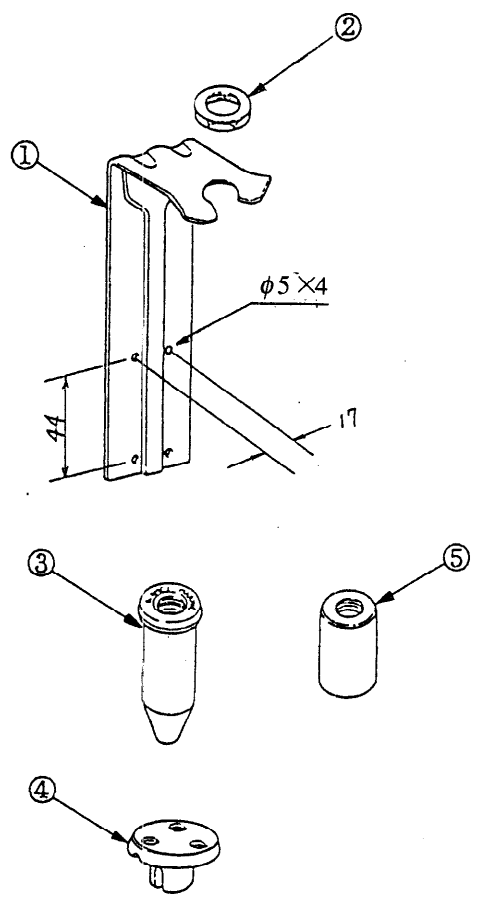
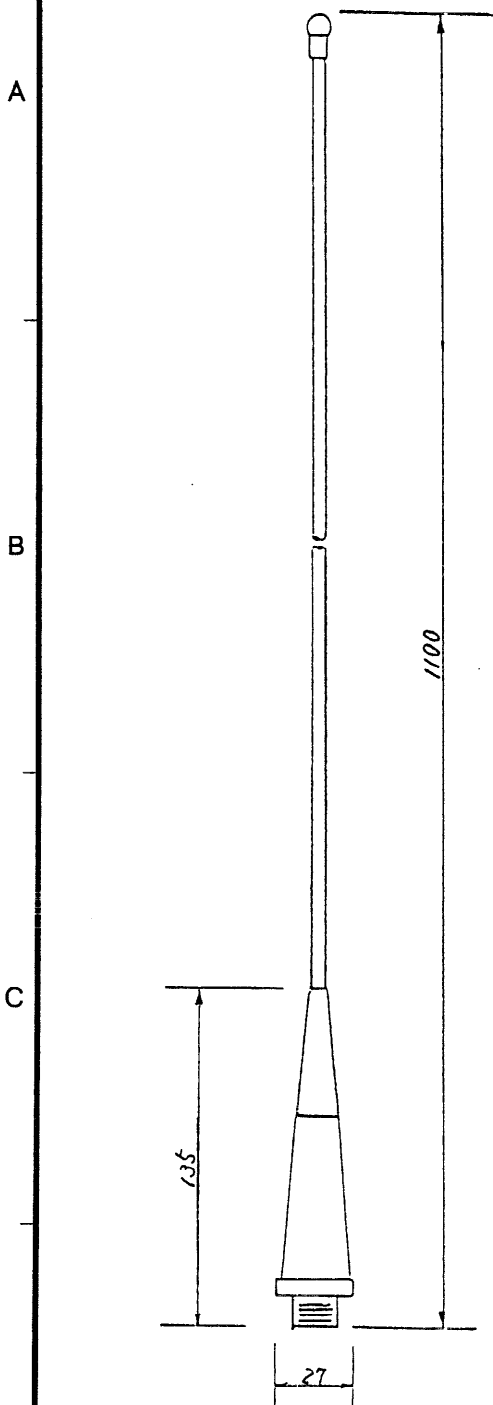
- 注 記
- 1) 印寸法は最小サービス空間寸法とする。
 - 2) 指定外の寸法公差は表 1 による。
 - 3) 取付用ネジは M6 ボルトまたはコーチボルト呼び径φ を使用のこと。
- NOTE
1. MINIMUM SERVICE CLEARANCE.
 2. TABLE 1 INDICATES TOLERANCE OF DIMENSIONS WHICH IS NOT SPECIFIED.
 3. USE M6 BOLTS OR COACH SCREWS φ6 FOR FIXING THE UNIT.

DRAWN Nov. 27, '96	E. MIYOSHI	TITLE PP-510
CHECKED	TAKAHASHI, I.	名称 プリンタ
APPROVED	Y. Hatai	外寸図
SCALE 1/5	MASS ±10% 3.8 kg	NAME PRINTER
DWG.No.	C5589-G08-K	REF.No.
	16-007-660G-2	OUTLINE DRAWING



4	固定用パイプ LINER PIPE	硬質塩ビ VINYL CHLORIDE	1		
3	同軸コネクタ COAX. CONNECTOR		1		M-R
2	アンテナ取付金具 ANTENNA BRACKET	SUS	1 式 SET	4-310071	0.6kg
1	アンテナ棒 ANTENNA ELEMENT	FRP	1		0.25kg
品番 ITEM	品名 NAME	材質 MATERIAL	数量 Q'TY	図番 DWG.No.	摘要 REMARKS

DRAWN	Feb. 1 '05	T.YAMASAKI	TITLE	FAB-151D	
CHECKED	Feb. 1 '05	T.MATSUGUCHI	名称	150MHz ホイップアンテナ	
APPROVED	Feb. 02 '05	T. Matsuguchi		外寸図	
SCALE	1/5	MASS 0.85 ±10% kg	NAME	150MHz WHIP ANTENNA	
DWG.No.	C5013-019- J	4-110718		OUTLINE DRAWING	



	品名 NAME	数量 QTY
1	アンテナ取付組品 ANTENNA BRACKET	1
2	固定ナット NUT	1
3	防滴カバー WATERPROOFING COVER	1
4	グランド GLAND	1
5	アダプタ ADAPTER	1

付属品；M型コネクタ付同軸ケーブル組品(05S9014, 5 m)
 Antenna RA106 comes with a coax cable assembly (05S9014, 5 m)
 which has an M-type connector attached.

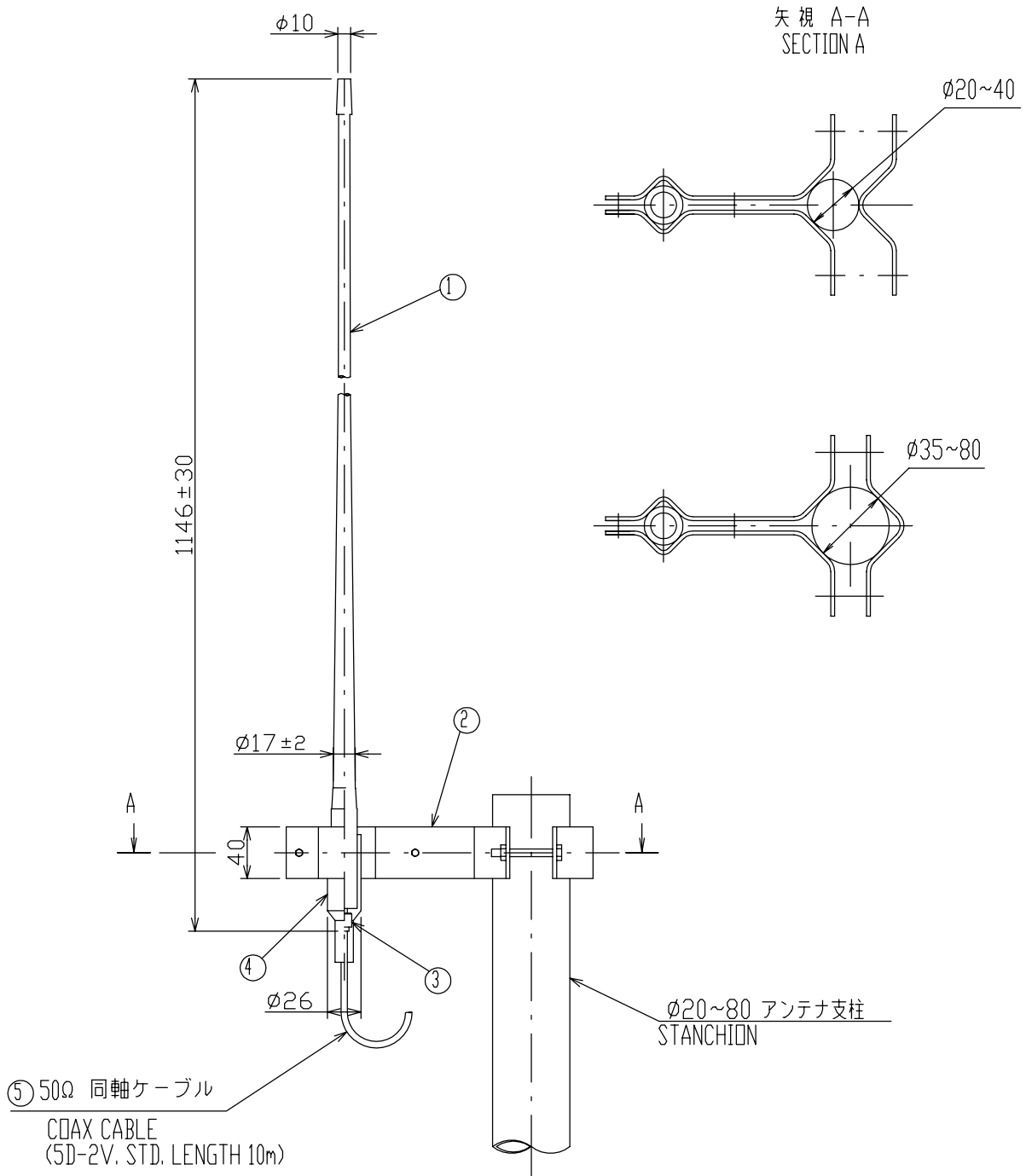
DRAWN <i>Nov. 13 '95</i> <i>T. N. I. H. I. N. O.</i> CHECKED <i>Nov. 13 '95 K. Okamoto</i> APPROVED <i>Nov. 13 '95 K. Okamoto</i> SCALE <i>α</i> MASS <i>—</i> kg DWG NO. C5603-G02- A	APPLICABLE TO: (MODEL.) FM-2678 FM-8500 BLOCK NO. 05-001-4354- 0	TYPE RA106 名称 150MHzアンテナ外觀図 外寸図 NAME VHF MARINE ANTENNA OUTLINE DRAWING
--	---	---

A

B

C

D



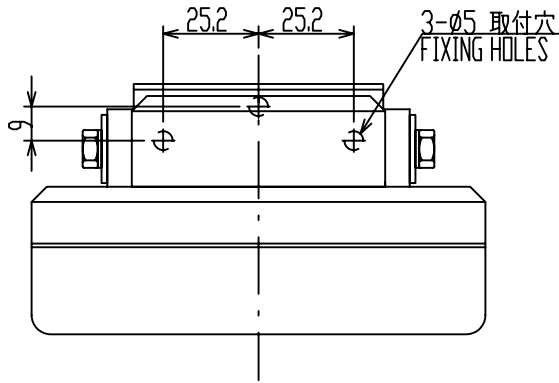
5	同軸ケーブル 50Ω COAX. CABLE		10m	5D-2V	
4	掙ビキャップ CONNECTOR CAP		1		
3	同軸コネクタ COAX. CONNECTOR		2	M-P-5	
2	アンテナ取付金具 ANTENNA BRACKET		1 式 SET		t2
1	アンテナ棒 ANTENNA ELEMENT	FRP	1	150M-W2VN	0.25kg
品番 ITEM	品名 NAME	材質 MATERIAL	数量 Q.TY	図番 DWG.No.	摘要 REMARKS

DRAWN	Nov. 26 '03	T.YAMASAKI	TITLE	150M-W2VN	
CHECKED	Nov. 26 '03	T.TAKENO	名称	150MHzホイップアンテナ	
APPROVED	Nov. 28 '03	Matsuyuchi		外寸図	
SCALE	1/5	MASS 0.7 ±10% kg	NAME	150MHz WHIP ANTENNA	
DWG.No.	C5011-042- C			OUTLINE DRAWING	

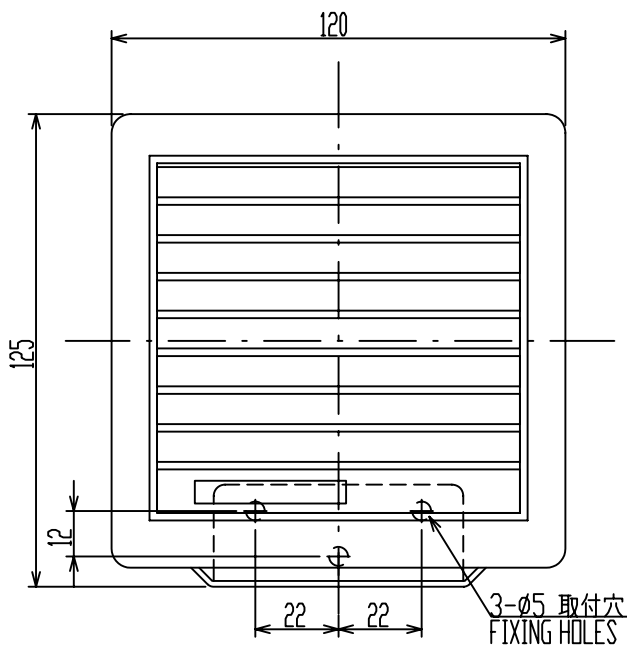
表1 TABLE 1

寸法区分(mm) DIMENSIONS	公差(mm) TOLERANCE
0 < L ≤ 50	±1.5
50 < L ≤ 100	±2.5
100 < L ≤ 500	±3

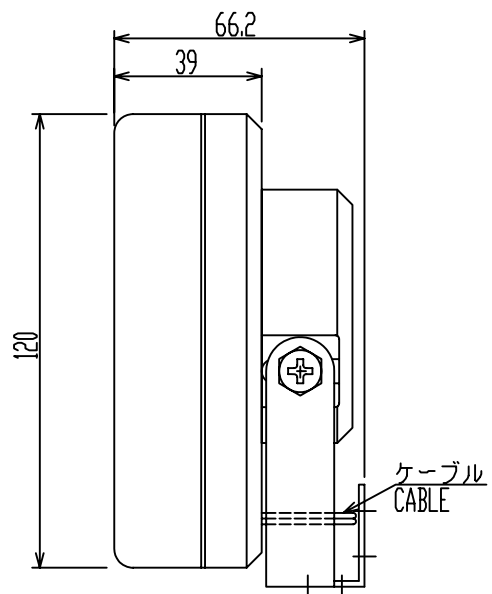
A



B



C



D

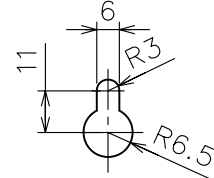
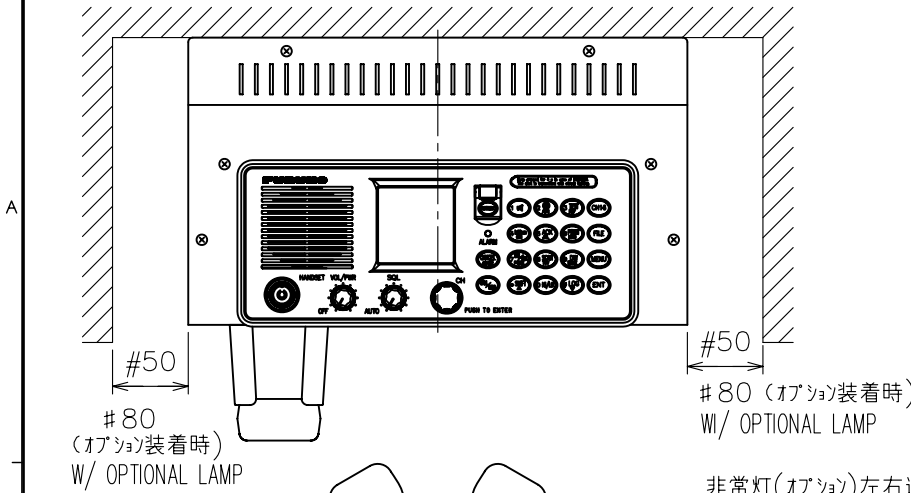
注記 1) 指定外寸法公差は表1による。

NOTE 1. TABLE 1 INDICATES TOLERANCE OF DIMENSIONS WHICH IS NOT SPECIFIED.

DRAWN	Nov. 25, '06	E. MIYOSHI	TITLE	SEM-21Q
CHECKED		TAKAHASHI, T	名称	スピーカ
APPROVED		Y. Hatai		外寸図
SCALE	1/2	MASS 0.54 ±10% kg	質量は2.8mケーブルを含む MASS W/ 2.8m CABLE	NAME
DWG.No.	C5016-G07-C	REF.No.		LOUDSPEAKER
				OUTLINE DRAWING

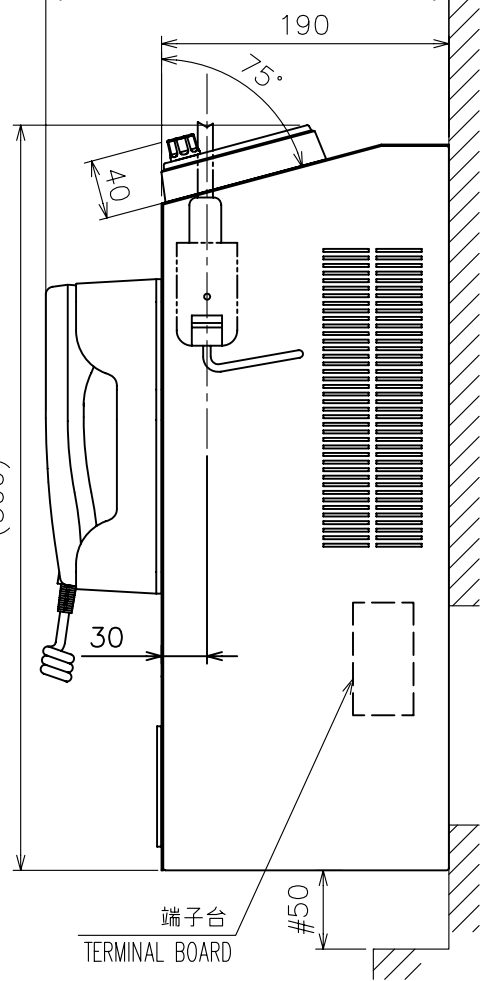
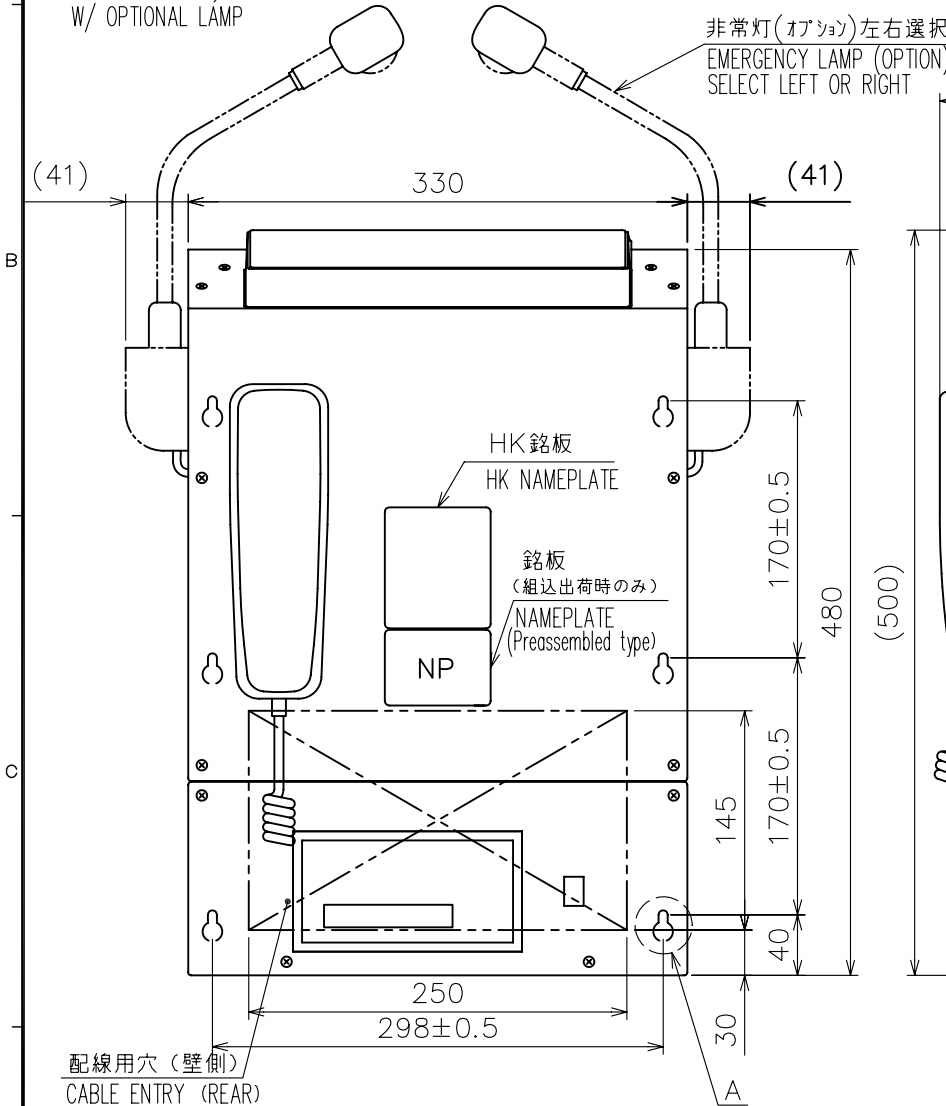
表1 TABLE 1

寸法区分 (mm) DIMENSIONS	公差 (mm) TOLERANCE
$L \leq 50$	± 1.5
$50 < L \leq 100$	± 2.5
$100 < L \leq 500$	± 3
$500 < L \leq 1000$	± 4



A部詳細 (尺度: 1/2) 6ヶ所

DETAIL A (SCALE: 1/2) 6 HOLES (266)



- 注記 1) 指定外の寸法公差は表1による。
2) #印寸法は最小サービス空間とする。

- NOTE 1. TABLE 1 INDICATES TOLERANCE OF DIMENSIONS WHICH IS NOT SPECIFIED.
2. #: MINIMUM SERVICE CLEARANCE.

DRAWN Dec. 8, '06 T. YAMASAKI	TITLE RC-8800A
CHECKED Dec. 8, '06 T. TAKENO	名称 コンソールキット(壁掛ラック、プリンタ付)
APPROVED Dec. 19, '06 R. Esumi	外寸図
SCALE 1/5 MASS 17 $\pm 10\%$ kg	NAME CONSOLE KIT (RACK W/PRINTER)
DWG.No. C5642-G05-D	REF.No. 05-093-700G-5
質量はプリンタを含む。 MASS INCLUDES PRINTER.	
OUTLINE DRAWING	

表1 TABLE 1

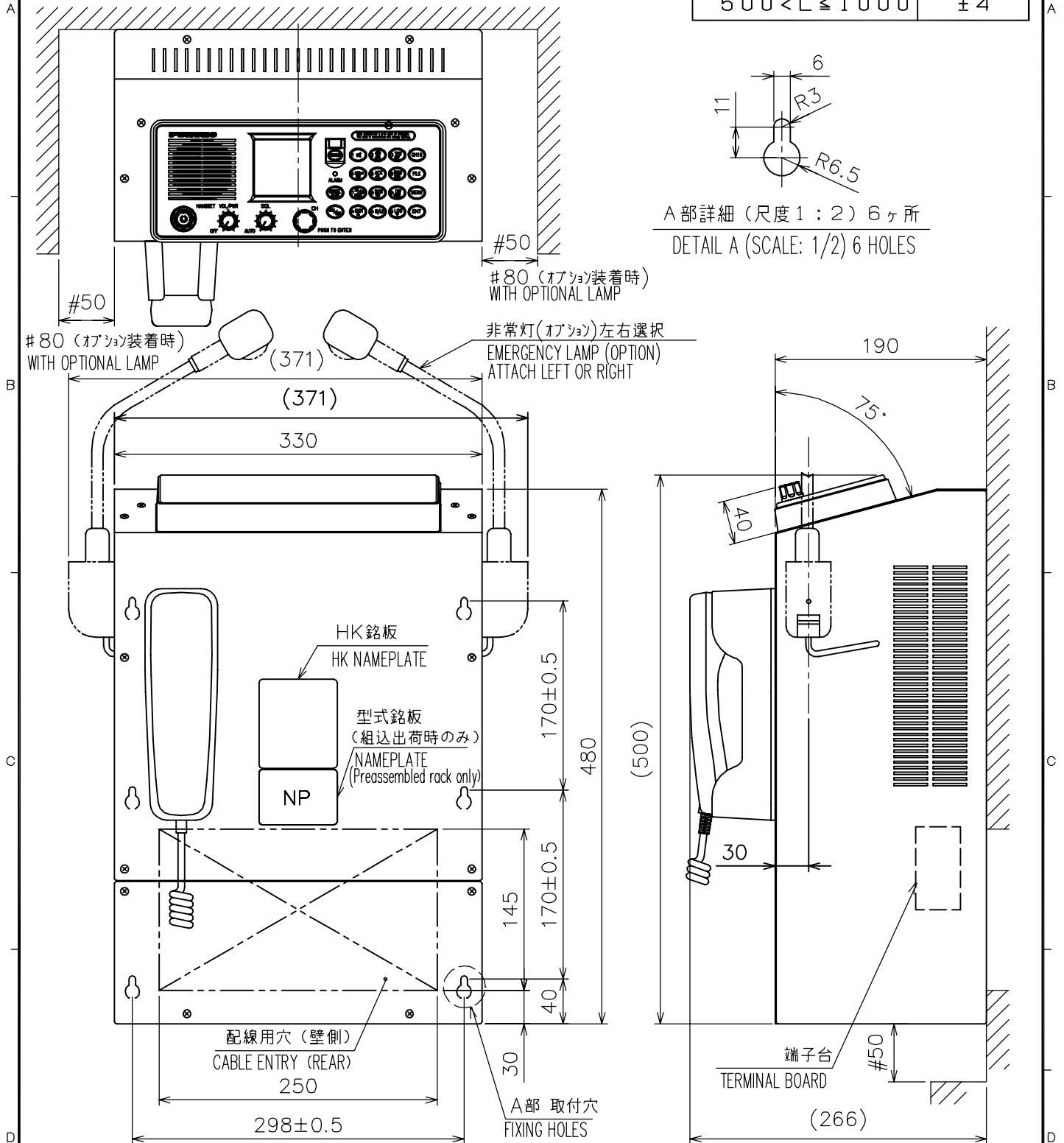
寸法区分 (mm) DIMENSIONS	公差 (mm) TOLERANCE
$L \leq 50$	± 1.5
$50 < L \leq 100$	± 2.5
$100 < L \leq 500$	± 3
$500 < L \leq 1000$	± 4

注記

- 1) 指定外の寸法公差は表1による。
- 2) #印寸法は最小サービス空間とする。

NOTE

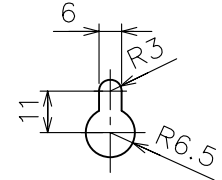
1. TABLE 1 INDICATES TOLERANCE OF DIMENSIONS WHICH IS NOT SPECIFIED.
2. #: MINIMUM SERVICE CLEARANCE.



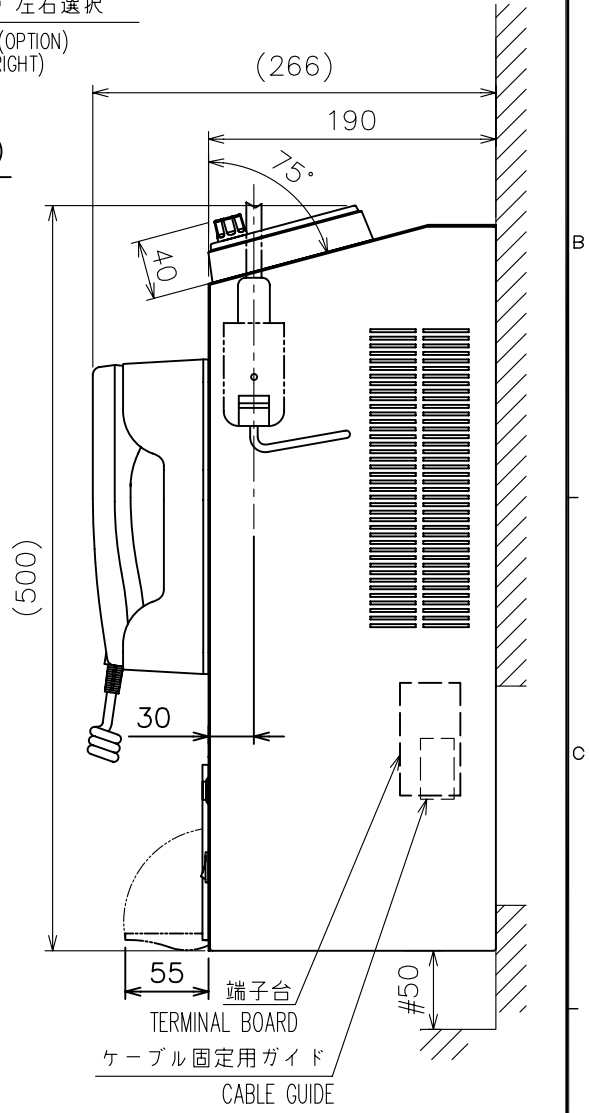
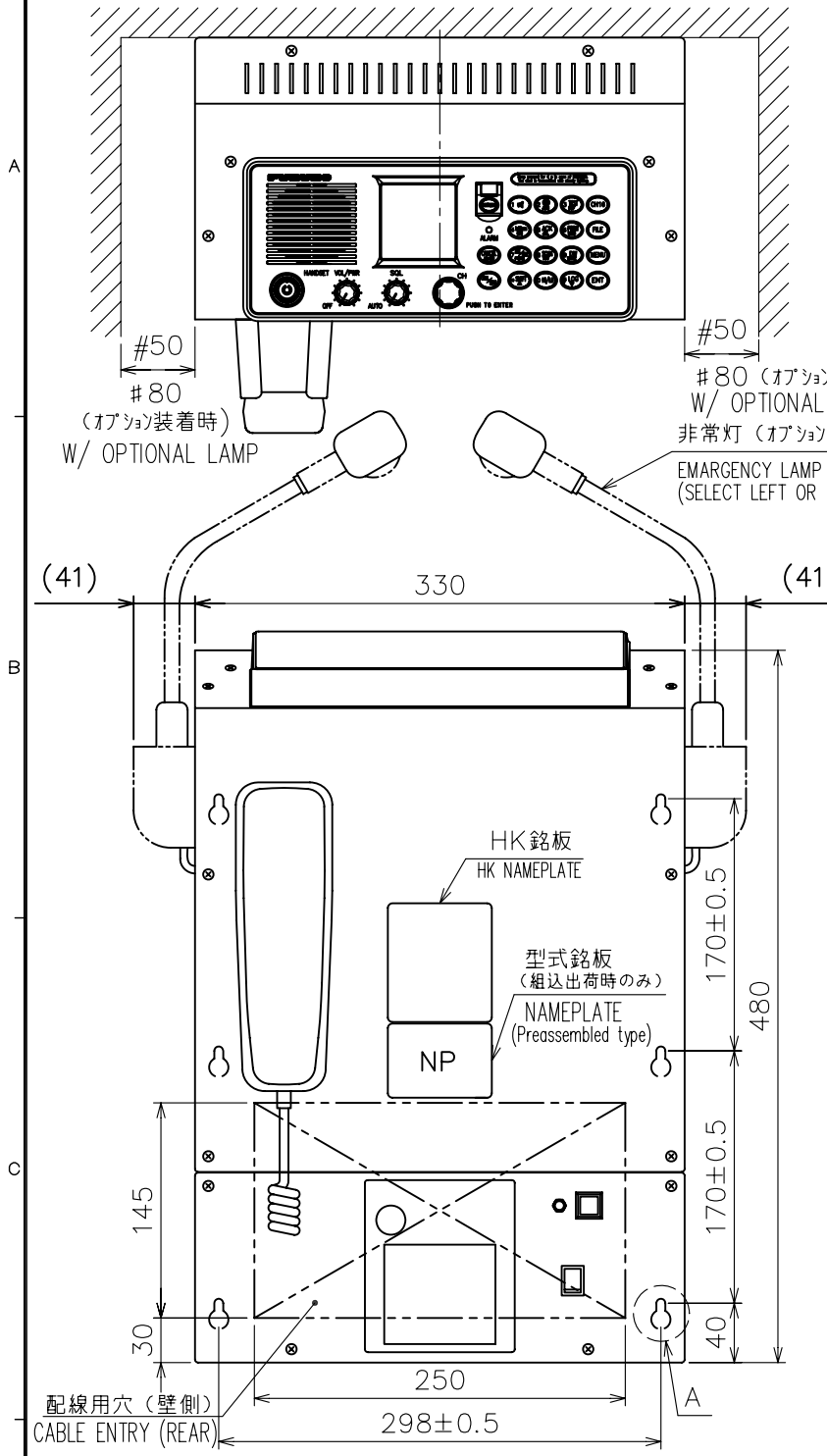
DRAWN Oct. 11. '05 E. MIYOSHI	TITLE RC-8800
CHECKED TAKAHASHI, T	名称 コンソールキット (壁掛ラック、プリンタ無し)
APPROVED Y. Hatai	外寸図
SCALE 1/5 MASS 15.0 ±10% kg	NAME CONSOLE KIT (RACK W/O PRINTER)
DWG.No. C5642-G07-C	REF.No. 05-093-710G-1
OUTLINE DRAWING	

表 1 TABLE 1

寸法区分 (mm) DIMENSIONS	公差 (mm) TOLERANCE
$L \leq 50$	± 1.5
$50 < L \leq 100$	± 2.5
$100 < L \leq 500$	± 3
$500 < L \leq 1000$	± 4



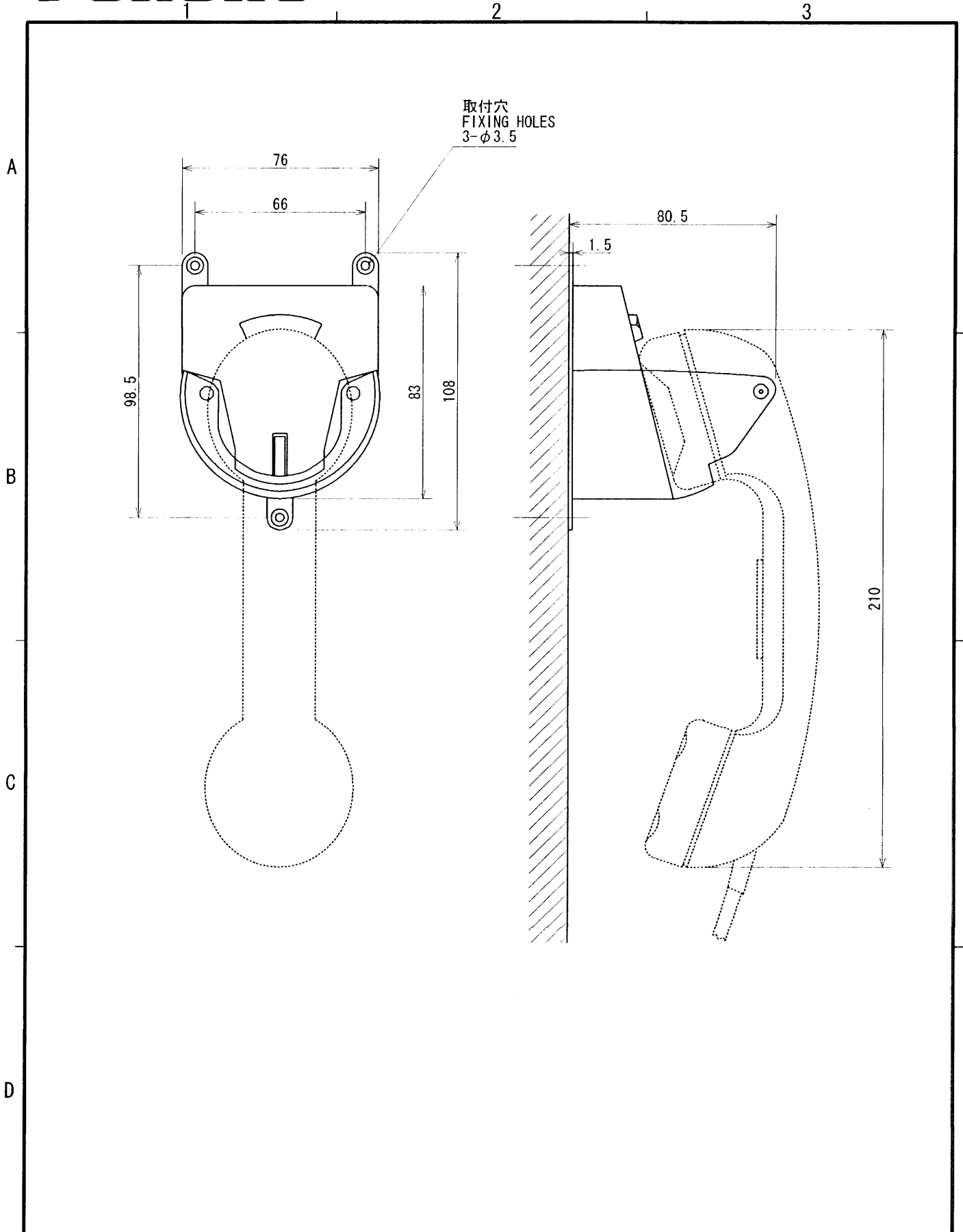
A部詳細 (尺度: 1/2) 6ヶ所
DETAIL A (SCALE: 1/2) 6 HOLES



注記 1) 指定外の寸法公差は表 1 による。
2) #印寸法は最小サービス空間とする。

NOTE 1. TABLE 1 INDICATES TOLERANCE OF DIMENSIONS WHICH IS NOT SPECIFIED.
2. #: MINIMUM SERVICE CLEARANCE.

DRAWN Dec. 8 '06 T.YAMASAKI	TITLE RC-8800B
CHECKED Dec. 8 '06 T.TAKENO	名称 コンソールキット (壁掛ラック、プリンタ付)
APPROVED Dec. 19 '06 R. Esumi	FM-8800D/S 外寸図
SCALE 1/5 MASS 17 ±10% kg	質量はプリンタを含む。 MASS INCLUDES PRINTER.
DWG.No. C5642-G17-B	05-093-701G-0 NAME CONSOLE KIT (RACK W/ PRINTER) OUTLINE DRAWING



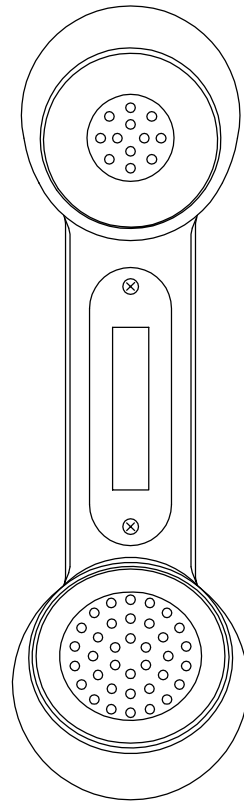
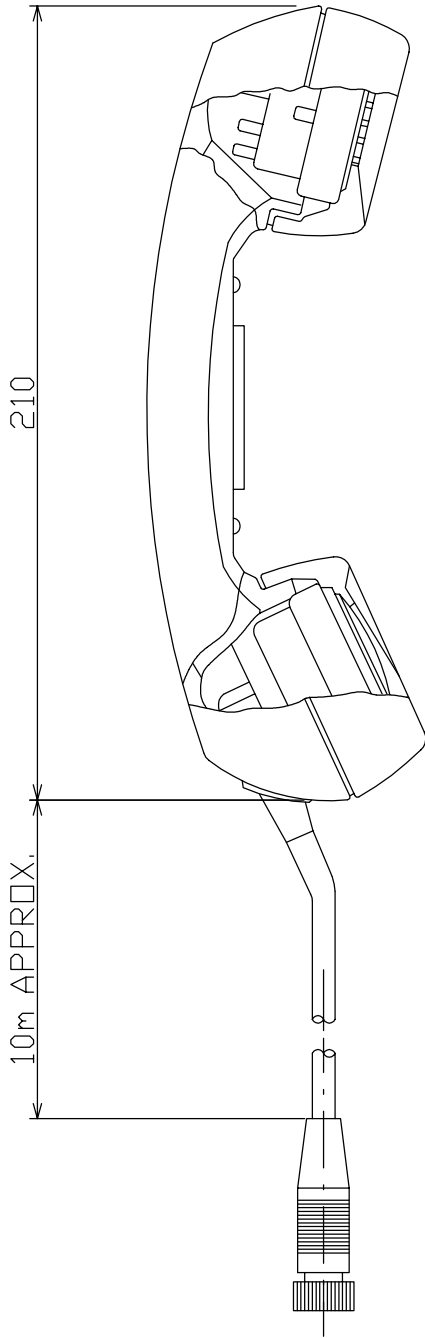
DRAWN <i>Aug 16 '00 T. YAMASAKI</i>		TITLE AP-102
CHECKED <i>Aug 16 '00 Y. Kuri</i>		名称 ハンドセットハンガー
APPROVED <i>Aug 16 '00 Y. Kuri</i>		外寸図
SCALE 1/2 MASS 0.5 kg		NAME HANDSET HANGER
DWG. No. C5015-G05-B		OUTLINE DRAWING

A

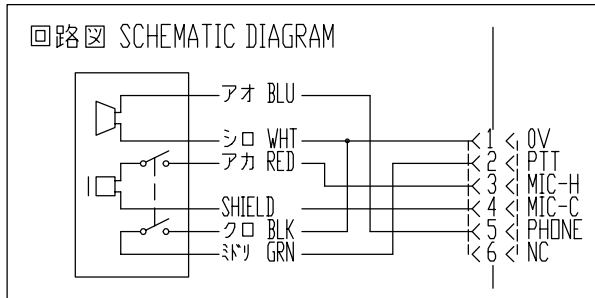
B

C

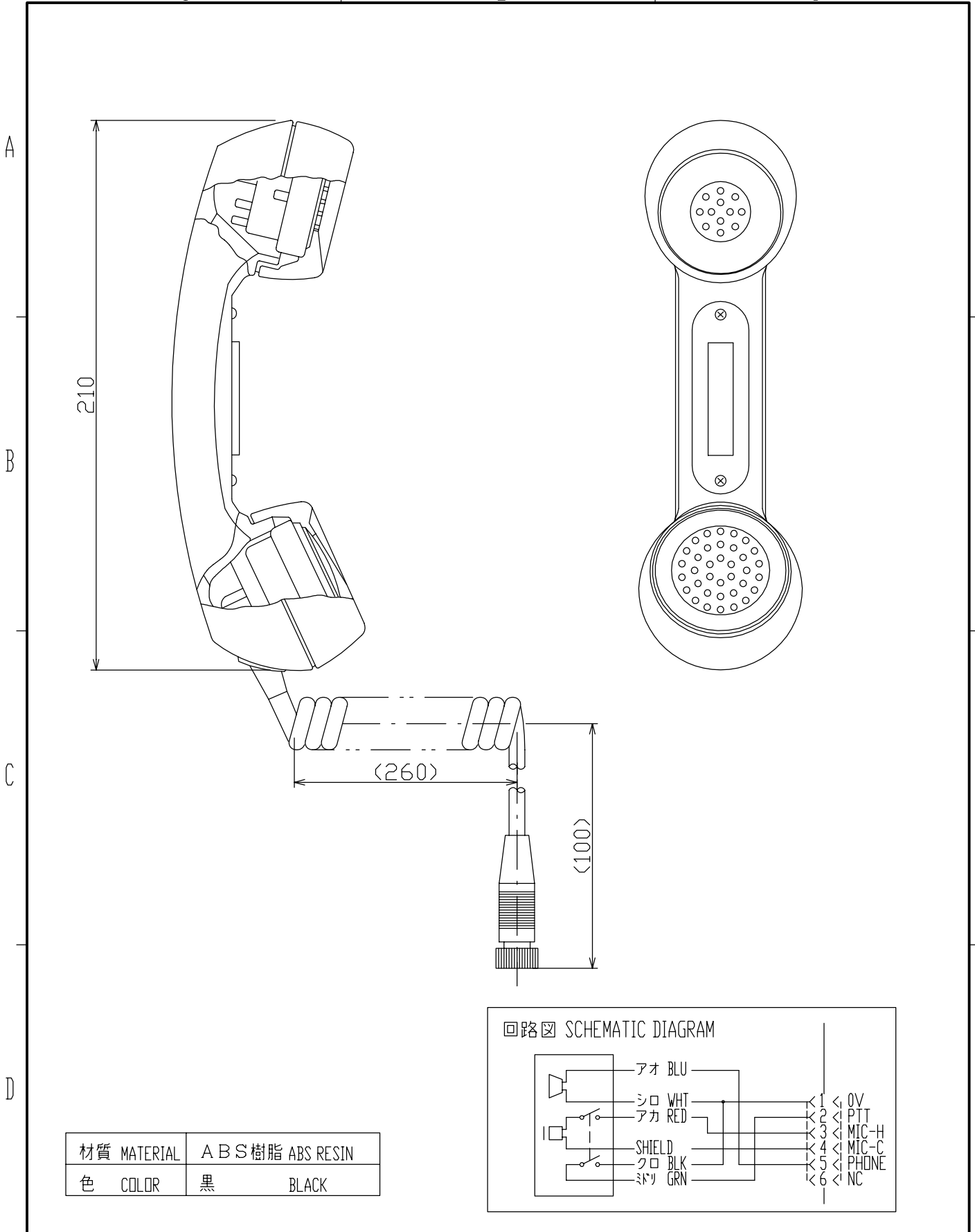
D



材質 MATERIAL	A B S樹脂 ABS RESIN
色 COLOR	黒 BLACK

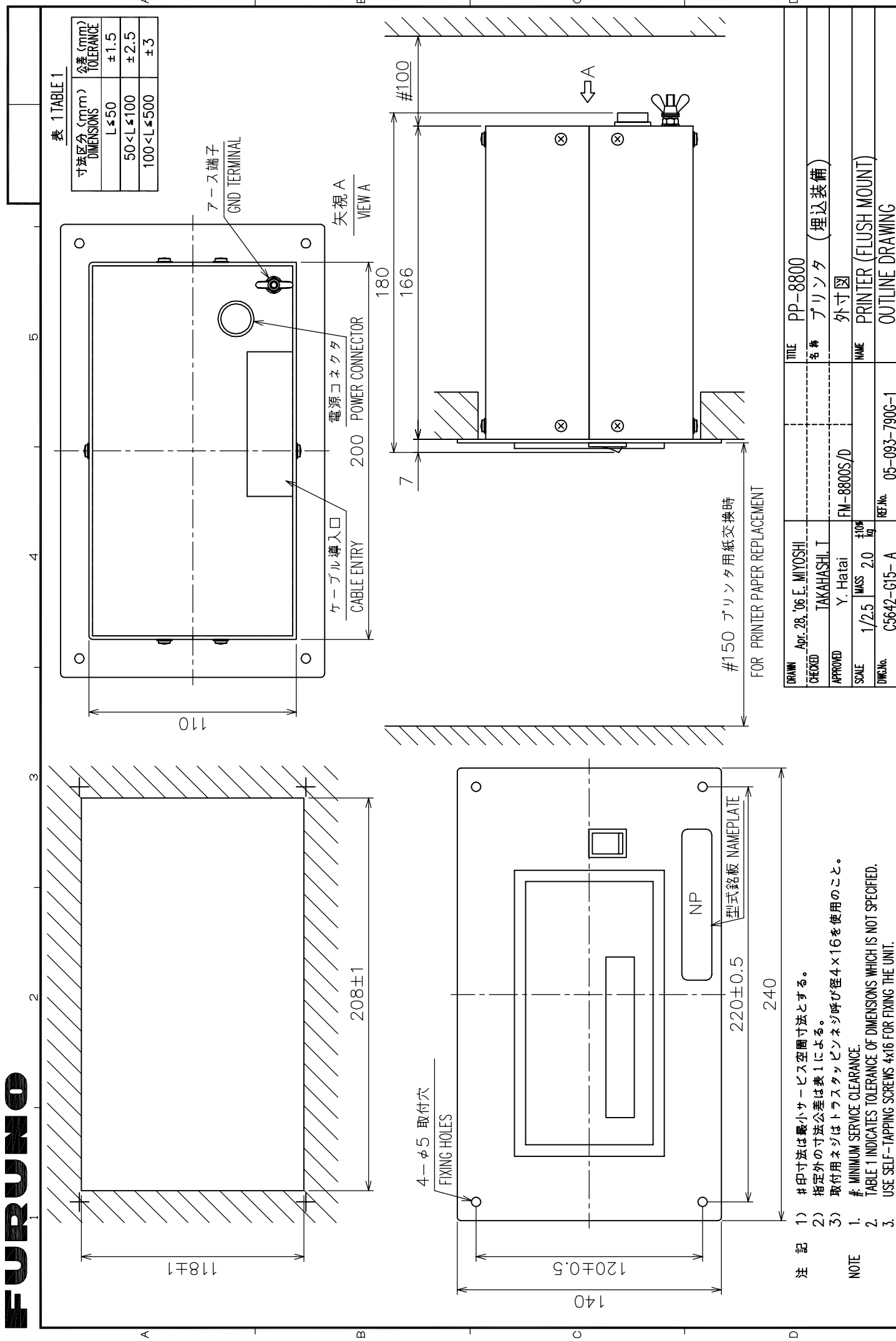


DRAWN Dec. 22 '03 T.YAMASAKI	TITLE HS-6000F Z11
CHECKED Dec. 22 '03 T.TAKENO	名称 ハンドセット
APPROVED Dec. 26 '03 <i>Matsuyuchi</i>	外寸図
SCALE 1/2 MASS 0.5 kg	NAME HANDSET
DWG.No. C5015-G11-A	OUTLINE DRAWING



材質 MATERIAL	A B S樹脂 ABS RESIN
色 COLOR	黒 BLACK

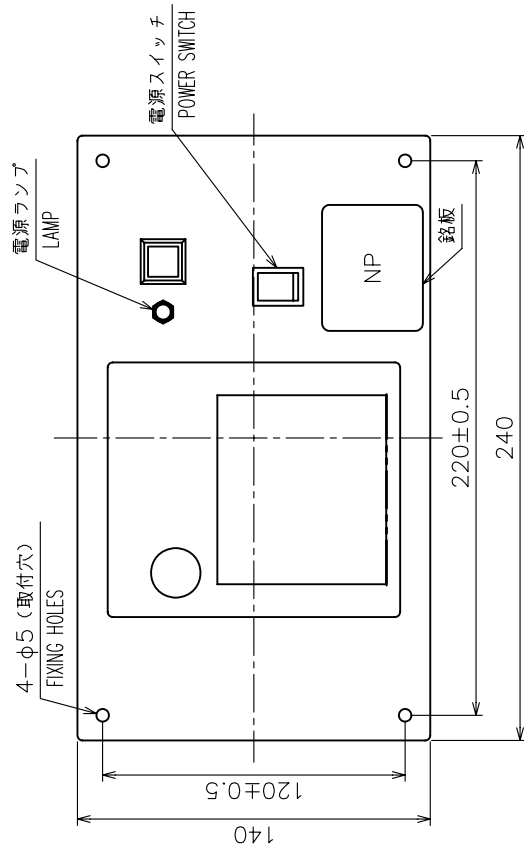
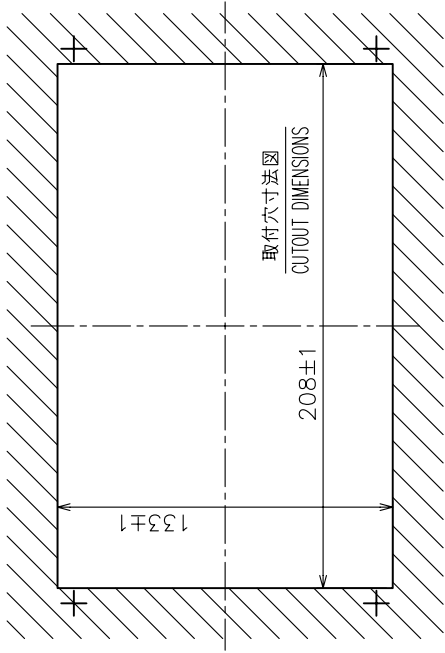
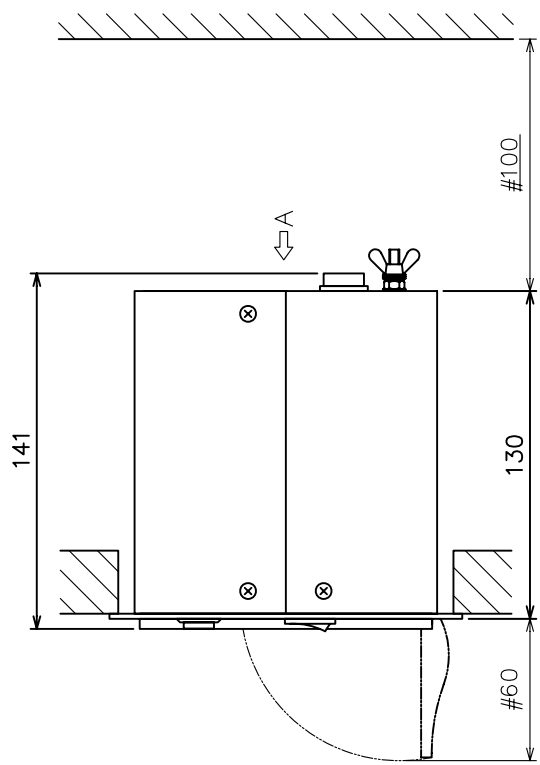
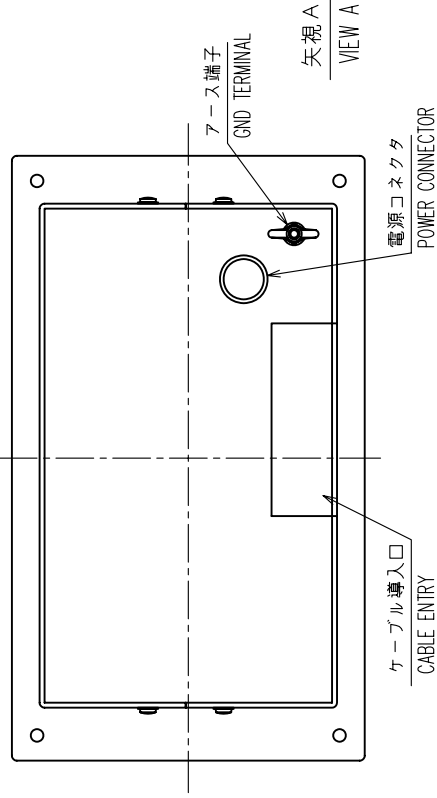
DRAWN Dec. 22 '03 T.YAMASAKI	TITLE HS-6000F Z5
CHECKED Dec. 22 '03 T.TAKENO	名称 ハンドセット
APPROVED Dec. 26 '03 <i>Matsuyuchi</i>	外寸図
SCALE 1/2 MASS 0.3 kg	NAME HANDSET
DWG.No. C5015-024-D	OUTLINE DRAWING



DRAWN	Apr. 28, '06 E. MIYOSHI	TITLE	PP-8800
CHECKED	TAKAHASHI, T	名称	プリンタ (埋込装備)
APPROVED	Y. Hatai	外寸図	
SCALE	1/2.5 MASS ±10% 2.0 kg	NAME	PRINTER (FLUSH MOUNT)
DWG.No.	C5642-G15-A	REF.No.	05-093-790G-1

表1 TABLE 1

寸法区分 (mm) DIMENSION	公差 (mm) TOLERANCE
L ≤ 50	±1.5
50 < L ≤ 100	±2.5
100 < L ≤ 500	±3



- 注記
- 1) #印寸法は最小サービス空間寸法とする。
 - 2) 指定外の寸法公差は表1による。
 - 3) 取付用ネジはトラスタップピンネジ呼び径4×16を使用のこと。
- NOTE
1. # MINIMUM SERVICE CLEARANCE.
 2. TABLE 1 INDICATES TOLERANCE OF DIMENSIONS WHICH IS NOT SPECIFIED.
 3. USE TAPPING SCREWS 4x16 FOR FIXING THE UNIT.

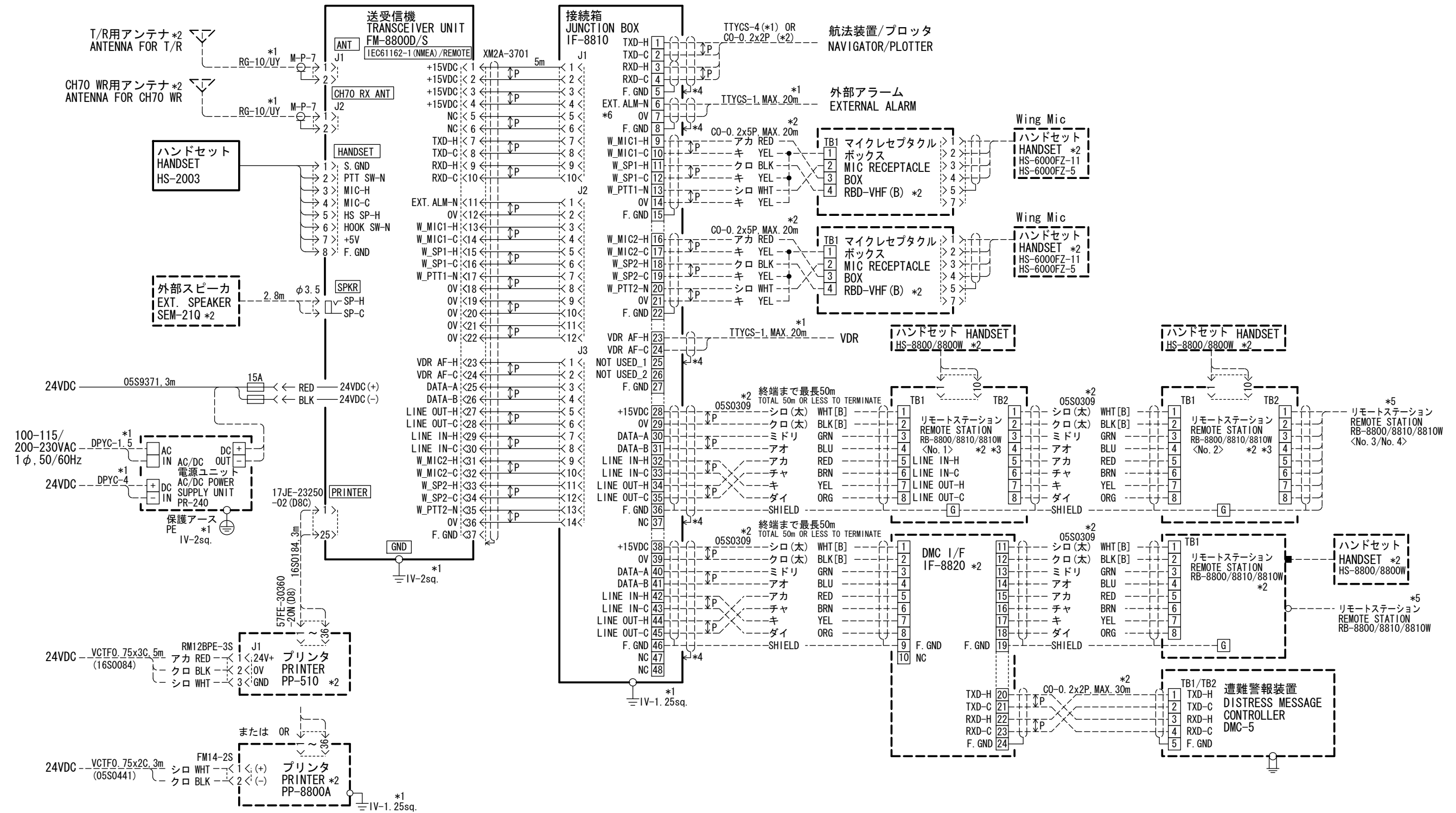
DRAWN	Dec. 25 '06	T. YAMASAKI	TITLE	PP-8800A
CHECKED	Dec. 25 '06	I. TAKENO	名称	プリンタ (埋込装備)
APPROVED	Dec. 26 '06	R. Esumi	外寸図	
SCALE	1/3	WASS 1.4 kg	NAME	PRINTER (FLUSH MOUNT)
DWG.No.	C5642-G16-B	REF.No.	05-093-791G-0	OUTLINE DRAWING

A

B

C

D



- 注記
- *1) 造船所手配。
 - *2) オプション。
 - *3) 最大4台まで接続可能。
 - *4) ケーブルクランプで接地。
 - *5) 終端ユニットは内部のジャンパー (J2, J3) をONにする。
 - *6) ノーマルクローズ、フローティング、最大80mA、耐圧 \leq 50V。

- NOTE
- *1. SHIPYARD SUPPLY
 - *2. OPTION
 - *3. MAX. 4 SETS AVAILABLE
 - *4. GROUND THROUGH CABLE CLAMP.
 - *5. CONNECT JUMPERS (J2 & J3) ON TERMINATED REMOTE STATION.
 - *6. NORMAL CLOSE, FLOATING, MAX80mA, WITHSTAND VOLTAGE \leq 50V.

CO-0. 2x2P: CO-SPEVV-SB-C 0. 2x2P, ϕ 10. 5
 CO-0. 2x5P: CO-SPEVV-SB-C 0. 2x5P, ϕ 13. 5

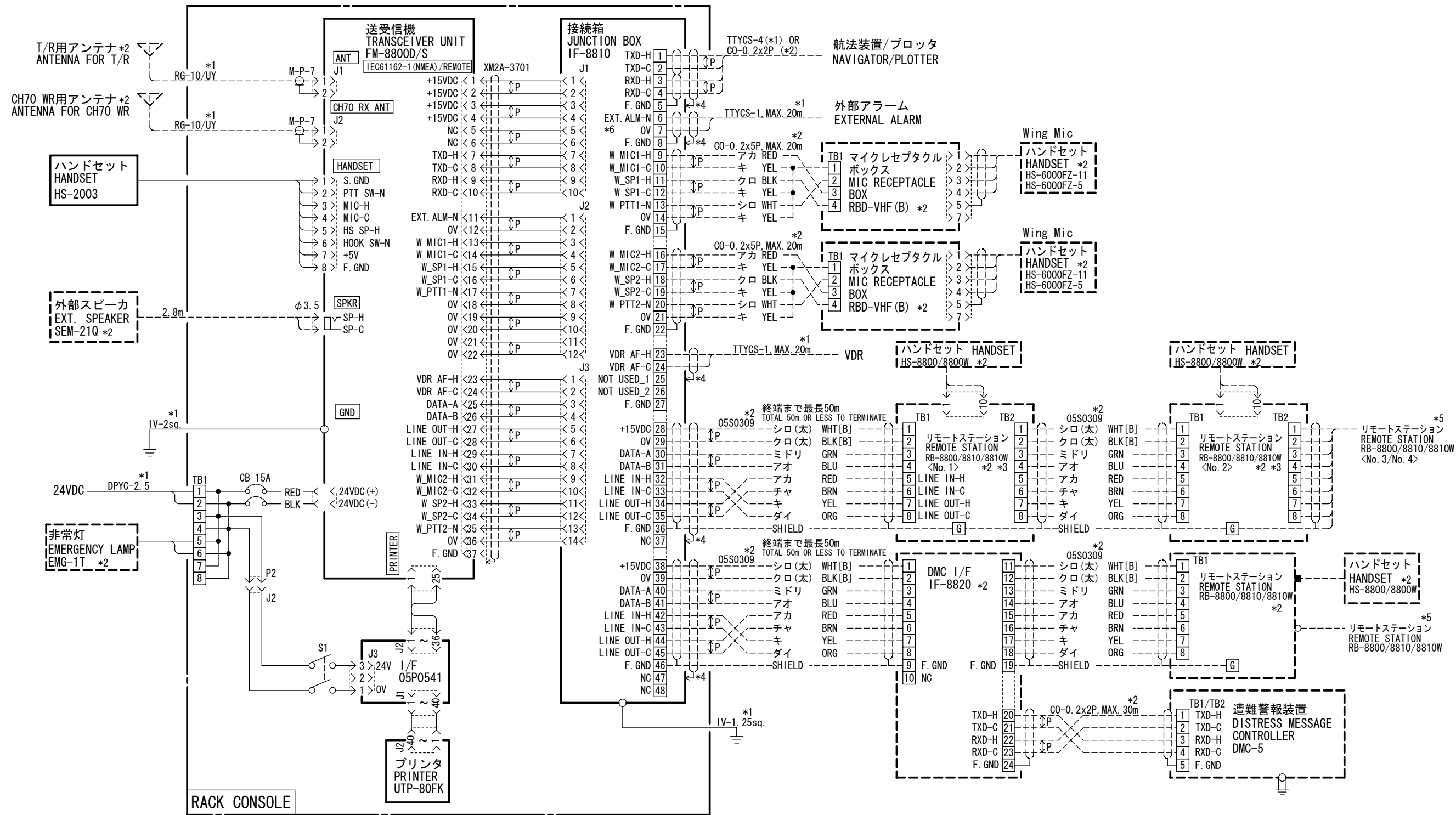
DRAWN May 15 '07 T. YAMASAKI	TITLE FM-8800D/S
CHECKED May 15 '07 T. TAKENO	名称 国際VHF無線電話装置
APPROVED May 17 '07 R. Esumi	相互結線図
SCALE MASS kg	NAME VHF RADIOTELEPHONE
DWG No. C5642-C01- M	INTERCONNECTION DIAGRAM

A

B

C

D



CO-0. 2x2P: CO-SPEVV-SB-C 0. 2x2P, φ 10. 5
 CO-0. 2x5P: CO-SPEVV-SB-C 0. 2x5P, φ 13. 5

注記

- *1) 造船所手配。
- *2) オプション。
- *3) 最大4台まで接続可能。
- *4) ケーブルクランプで接地。
- *5) 終端ユニットは内部のジャンパー (J2, J3) をONにする。
- *6) ノーマルクローズ、フローティング、最大80mA、耐圧≤50V。

NOTE

- *1. SHIPYARD SUPPLY
- *2. OPTION
- *3. MAX. 4 SETS AVAILABLE
- *4. GROUND THROUGH CABLE CLAMP.
- *5. CONNECT JUMPERS (J2 & J3) ON TERMINATED REMOTE STATION.
- *6. NORMAL CLOSE, FLOATING, MAX80mA, WITHSTAND VOLTAGE ≤50V.

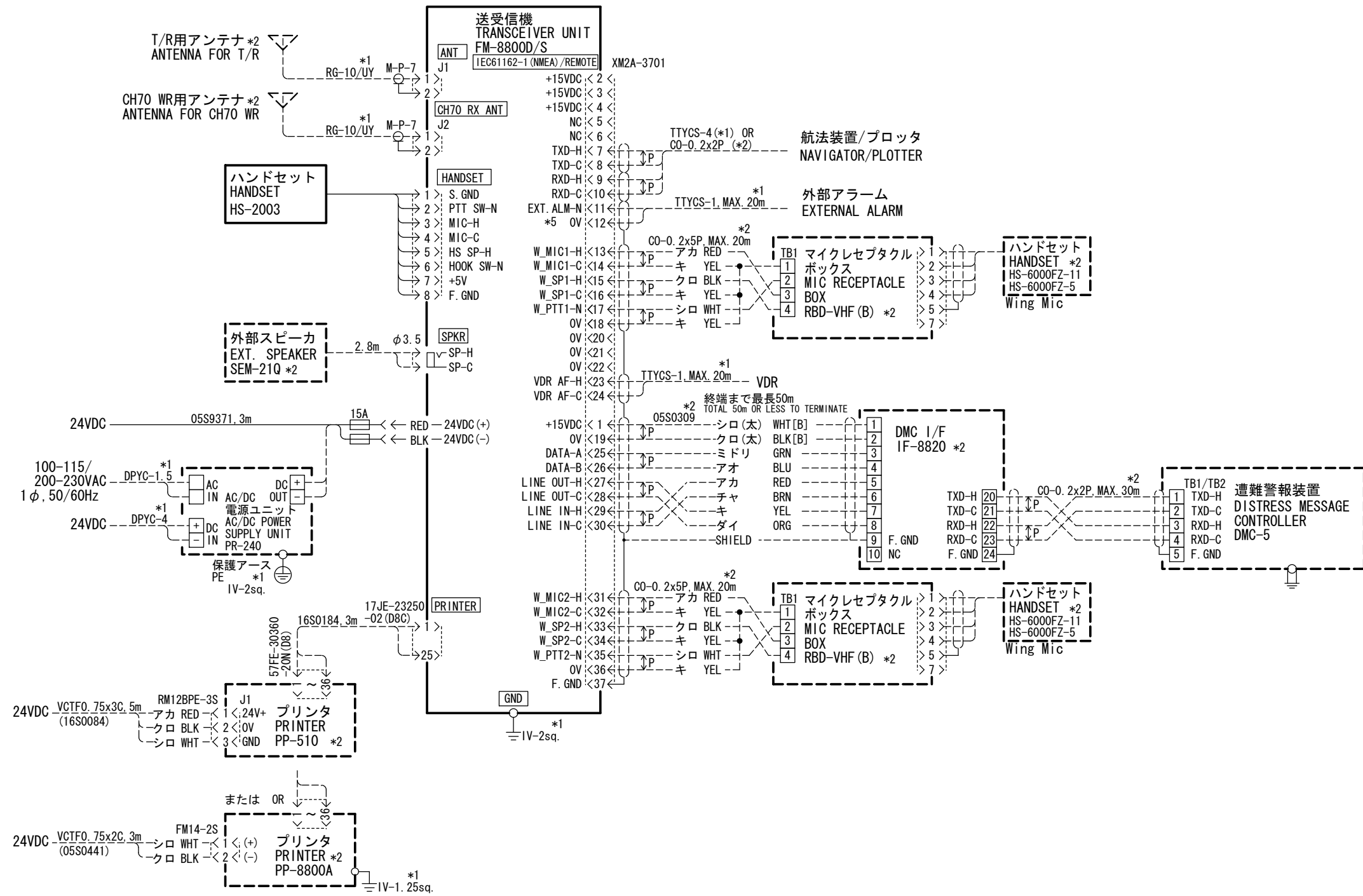
DRAWN Jan. 29 '07 T. YAMASAKI	TITLE RC-8800D/S-A (FM-8800D/S)
CHECKED Jan. 29 '07 T. TAKENO	名称 国際VHF無線電話装置 (ラック組込)
APPROVED Feb. 2 '07 R. Esumi	相互結線図
SCALE MASS kg	NAME VHF RADIOTELEPHONE (RACK CONSOLE)
DWG No. C5642-C02- F	INTERCONNECTION DIAGRAM

A

B

C

D



CO-0.2x2P: CO-SPEVV-SB-C 0.2x2P, φ10.5
 CO-0.2x5P: CO-SPEVV-SB-C 0.2x5P, φ13.5

- 注記
- *1) 造船所手配。
 - *2) オプション。
 - *3) 最大4台まで接続可能。
 - *4) ケーブルクランプで接地。
 - *5) ノーマルクローズ、フローティング、最大80mA、耐圧≤50V。
- NOTE
- *1. SHIPYARD SUPPLY
 - *2. OPTION
 - *3. MAX. 4 SETS AVAILABLE
 - *4. GROUND THROUGH CABLE CLAMP.
 - *5. NORMAL CLOSE, FLOATING, MAX80mA, WITHSTAND VOLTAGE ≤50V.

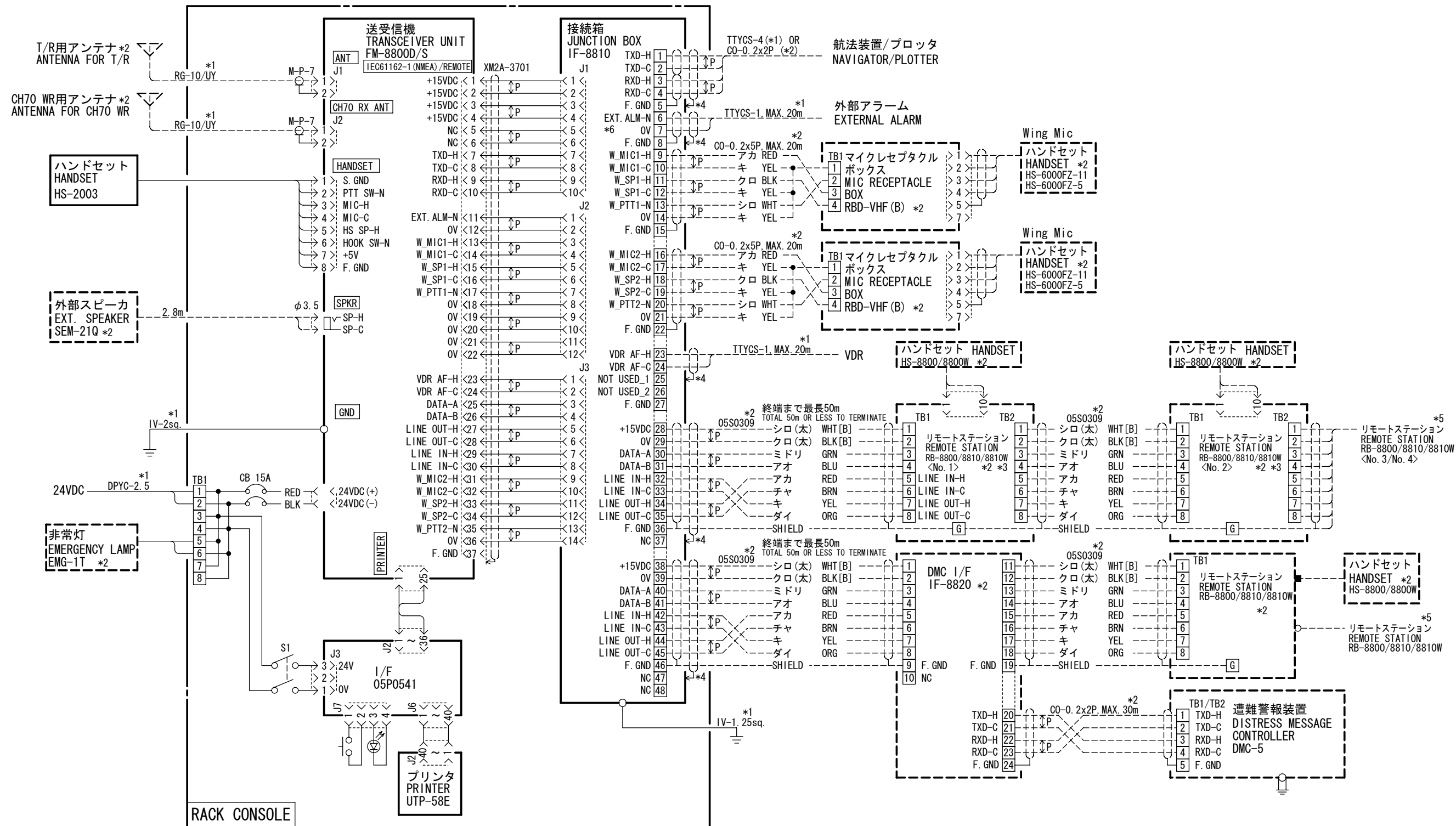
DRAWN May 15 '07	T. YAMASAKI	TITLE FM-8800D/S
CHECKED May 15 '07	T. TAKENO	名称 国際VHF無線電話装置 (接続箱なし)
APPROVED May 17 '07	R. Esumi	相互結線図
SCALE MASS	kg	NAME VHF RADIOTELEPHONE (W/O JUNCTION BOX)
DWG No. C5642-C03- E		INTERCONNECTION DIAGRAM

A

B

C

D



CO-0. 2x2P: CO-SPEVV-SB-C 0. 2x2P, φ 10. 5
 CO-0. 2x5P: CO-SPEVV-SB-C 0. 2x5P, φ 13. 5

注記

- *1) 造船所手配。
- *2) オプション。
- *3) 最大4台まで接続可能。
- *4) ケーブルクランプで接地。
- *5) 終端ユニットは内部のジャンパー (J2, J3) をONにする。
- *6) ノーマルクローズ、フローティング、最大80mA、耐圧≤50V。

NOTE

- *1. SHIPYARD SUPPLY
- *2. OPTION
- *3. MAX. 4 SETS AVAILABLE
- *4. GROUND THROUGH CABLE CLAMP.
- *5. CONNECT JUMPERS (J2 & J3) ON TERMINATED REMOTE STATION.
- *6. NORMAL CLOSE, FLOATING, MAX80mA, WITHSTAND VOLTAGE ≤50V.

DRAWN Jan. 29 '07 T. YAMASAKI	TITLE RC-8800D/S-B (FM-8800D/S)
CHECKED Jan. 29 '07 T. TAKENO	名称 国際VHF無線電話装置 (ラック組込)
APPROVED Feb. 2 '07 R. Esumi	相互結線図
SCALE MASS kg	NAME VHF RADIOTELEPHONE (RACK CONSOLE)
DWG No. C5642-C04- A	INTERCONNECTION DIAGRAM