

MARINE DSC/VHF RADIO TELEPHONE

- Compliant with DSC performance standard and GMDSS regulation according to ITU and IMO.
- Compact size and light weight for easy installation.
- Over 160 characters with information in one large LCD.
- Class A type DSC/VHF for GMDSS built-in dedicated receiver CH70.

**Smaller Size !!
Improved Performance !!**

NEW



STR-6000A



FEATURES

- ▶ Includes all channels specified in ITU-RR(NOAA Weather channel)
- ▶ DUAL/TRIPLE WATCH function and TAG SCAN function built-in.
- ▶ 20 MMSI number in 2 groups-MMSI number save, edition and call function.
- ▶ Latitude/Longitude display function when connected with GPS.
- ▶ Over 160 characters can be seen in one large LCD.
- ▶ Priority selection of Ch.16 and adoption of noise free mic.
- ▶ Compact & light design for any-where installation.

SPECIFICATIONS

■ GENERALS

- ▶ TX Frequency : 156.025~157.425MHz
- ▶ RX Frequency : 156.050~163.275MHz
- ▶ Communication Mode : Simplex and Semi-Duplex
- ▶ Channel Number : 183 channels (ITU 55, USA 57, CAN 61, WEA 10)
- ▶ Type of Emission : FM(16K0G3E), DSC(16K0G2B)
- ▶ Freq. Stability : ± 10 ppm($-20^{\circ}\text{C} \sim +60^{\circ}\text{C}$)
- ▶ Antenna Impedance : 50Ω
- ▶ Consumed Currency (13.6V) : TX high 5.5A max Max. Audio 1.5A max
- ▶ Power Supply : DC 24V (DC 18 ~ 31.2V)
AC 100 ~ 120V, AC 200 ~ 240V

■ TRANSMITTER UNIT

- ▶ Antenna Output : HIGH/25W, LOW/1W
- ▶ Starting Mode : SYNTHESIZER mode
- ▶ Modulation Mode : VARIABLE REACTANCE FREQUENCY MODULATION
- ▶ Occupancy Band Width : Within :16KHz
- ▶ Max. Freq. Deviation : ± 5 KHz
- ▶ Spurious Emission : Over 70dB
- ▶ MIC Input Impedance : $2k\Omega$

■ RECEIVER UNIT

- ▶ Receiving Mode : DOUBLE CONVERSATION SUPER HETERODYNE
- ▶ Receiving Sensitivity : $0.32\mu\text{V}$ (20dB SINAD), $0.22\mu\text{V}$ (12dB SINAD)
- ▶ Squelch Sensitivity : Less than $0.22\mu\text{V}$
- ▶ Spurious Emission : Less than -70 dB

▶ Residual Noise Level : Less than -40 dB

▶ Audio Output : 4.5W / 4 Ω

■ DSC WATCH KEEPING RECEIVER

- ▶ Receiving Freq. : 156.525MHz
- ▶ Radio Wave Mode : G2B
- ▶ DSC Modulation Speed : 1200baud(Within 600Hz $\pm 30 \times 10^{-6}$ Freq.)
- ▶ DSC Modulation Mode : FSK
- ▶ DSC Modulation Quotient : Within $m=2 \pm 10\%$
- ▶ Adjacent Channel Select : Less than 10^{-2} Bit error rate
- ▶ Spurious Response : Less than 10^{-2} Bit error rate
- ▶ Inter-Modulation Response : Less than 10^{-2} Bit error rate
- ▶ Dynamic Range : Less than 10^{-2} Bit error rate

COMPONENTS

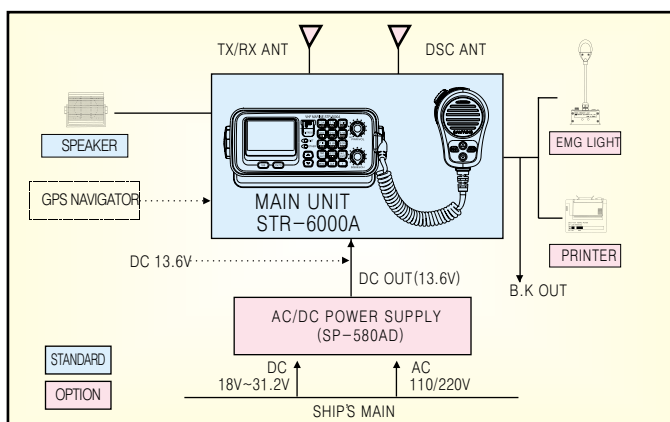
■ STANDARD

- ▶ Transceiver Unit(STR-6000A)
- ▶ Hand MIC(SM-6000)
- ▶ Speaker(SS-6000)
- ▶ Installation Material
- ▶ Instruction Manual

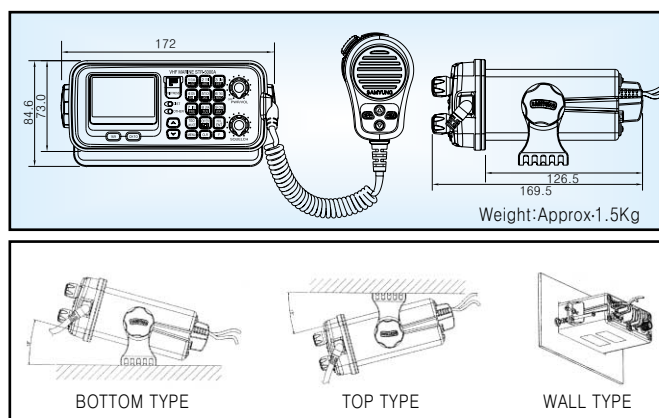
■ OPTION

- ▶ Whip Antenna(SAN-150)
- ▶ Power Supply(SP-580AD)
- ▶ Bracket for Flushing Type(SMB-60)
- ▶ EMG LIGHT
- ▶ Printer(DPU-414)

CONFIGURATION



DIMENSIONS & INSTALLATIONS



SAMYUNG ENC Co.,Ltd.

Head Office : 1123-17, Dongsam-Dong, Youngdo-Gu, Busan, Korea, 606-083
Tel : 82-51-601-5532(Rep.) Fax : 82-51-413-4446
A/S Center : 65-20, 2-Ga Namhang-Dong, Yungdo-Gu, Busan, Korea, 606-032
Tel : 82-51-601-5570-4(Rep.) Fax : 82-51-416-5515
Http : //www.samyungenc.com



KS Q ISO 9001:2015
SMI-2216Q



KAB-QC-42