

Icom America Systems

CROSSBAND REPEATER

X ↔ BAND 50



BRIDGING THE GAP BETWEEN BANDS

Crossband Communications

Powerful Crossband Capability

- Full UHF and VHF interoperability; provides seamless inter-band communications. Inter-agency communications just got easier!
- 50 Watts VHF; 45 Watts UHF
- Local controlled operation; can also be used as a dual base unit (with optional mic)
- Feature rich; affordable price

Maximum Frequency Flexibility / Alpha Tag Your Channels

- 128 Memory channels with 8 memory banks per radio
- 8-Character alphanumeric display / easy to read

AC to DC Auto Select, 220/110/12V Capable

Power failure? Not a problem. The X-Band 50 is configured to auto switch from AC to DC

(Batteries not included)

Compact Size

Set the X-Band 50 on a desktop, or mount it in a 19" industry standard rack.



Radios, controller, and power supply, all in one box. Dual forced-air fans keep the unit cool. 19" Rack mountable. Battery backup capable.



A clean rear panel design allows for easy setup and operation. An options connector allows for customized applications such as Interconnect, CWID, and more.



UHF



VHF



UHF and VHF Interoperability

ADDITIONAL FEATURES

Advanced Multi 2-Tone/5-Tone Systems

- Programmable actions when a matched tone is received
 - Bell icon indication ON/OFF/blink
 - Answer back calls
 - Beep sounds
 - Scan start/stop
 - Auto transmission
 - Stun/kill functions (prevents use of a lost or stolen radio)
 - External out for horn drive (optional OPC-617 is required)
- 32 Tx and 9 Rx 5-Tone codes available
- 11 Tx and Rx 2-Tone codes available

Other Features

- 10 scanning lists and normal/priority scan
- Power ON password
- Backlit LCD and keys for night time operations
- Meets MIL-STD 810 C, D, E and F specifications

SPECIFICATIONS

GENERAL	
•Frequency coverage	: VHF 136-174MHz : UHF 440-490MHz
•Number of channels	: 128 channels/8 banks per side
•Channel spacing	: 12.5/25kHz, 15/30kHz
•PLL channel step	: VHF 2.5, 3.125kHz : UHF 5, 6.25kHz
•Frequency stability	: VHF ±5.0 ppm : UHF ±2.5 ppm
•Operating temp. range	: -30°C to +60°C; -22°F to +140°F
•Power supply voltage	: 13.6 V DC
•Current drain (approx.)	: Tx VHF (50W) 14 A : UHF (45W) 13A : Rx max. Audio 1200mA stand-by 300mA
•Antenna impedance	: 50Ω (SO-239)
•Dimensions (WxHxD)	: 482.6 x 127 x 393.7mm 19" x 5" x 15.5"
•Weight	: 8.6kg; 19 lbs

TRANSMITTER	
•Output power	: VHF 50W (at 13.6V DC) UHF 45W
•Max. frequency deviation	: ±5.0/±2.5 kHz (wide/narrow)
•Spurious emission	: 70 dB typ.
•Adjacent Ch. power	: 70/60dB (wide/narrow)
•Mic. impedance	: 600Ω (8-pin modular)

RECEIVER	
•Sensitivity	: 0.25 μV typ. (at 12dB SINAD)
•Squelch sensitivity	: 0.25 μV typ.
•Adjacent ch. selectivity	: 75/65dB typ. (wide/narrow)
•Spurious response	: 75dB
•Intermodulation (typical)	: VHF 74dB typ. : UHF 75dB typ.
•Audio output power	: 4W typical at 10% distortion with a 4Ω load
•External SP connector	: 2-conductor 3.5 (d) mm (1/8")/4Ω

Applicable U.S. Military Specifications
The X-Band 50 meets (MIL-STD requirements and strict environmental standards for shock MIL 810 C, D, E and F) and vibration (MIL 810 C, D, E and F).

Supplied Accessories	
• AC Power Cord	• DC Power Cord

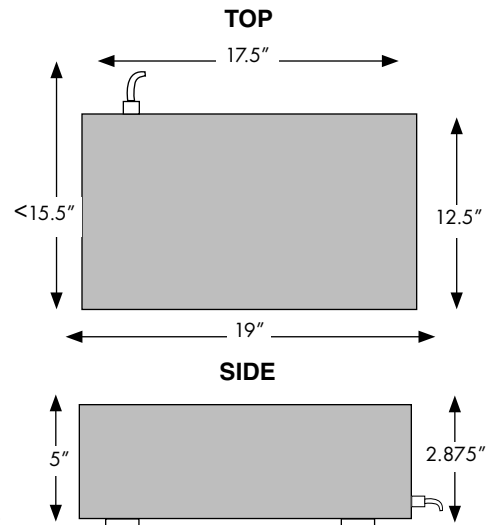
OPTIONS



•HM 100TN DTMF MICROPHONE



•SM-25 DESKTOP MICROPHONE
Convenient for dispatching, equipped with monitor switch.



Additional crossbanding configurations available, such as AM(VHF) to FM(UHF).
Call Icom America Systems for more information.

American Communication Systems
Discover the Power of Communications™

TO ORDER—VISIT <http://www.ameradio.com>

Icom America Systems
Systems for People Who Make Smart Choices

2380 116th Ave NE
Bellevue, WA 98004
Voice: 425-450-6098
Fax: 425-450-6093
www.icomamerica.com
systems@icomamerica.com



GSA contract #GS-35F-0109L