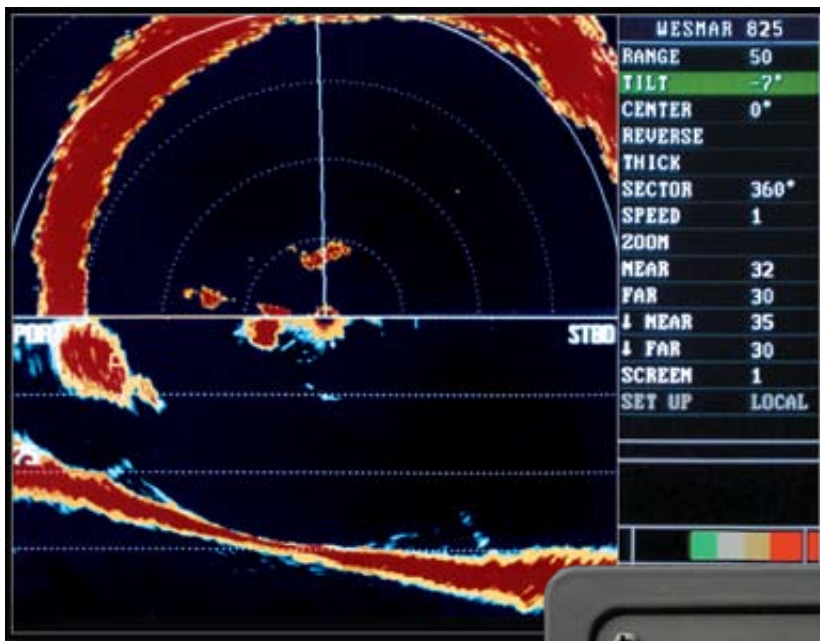




# HD825 Series Sonar

A New Generation of Digital Searchlight Sonar Designed for Purse Seining



- All digital searchlight sonar specially designed for purse seining, but highly effective for all sonar applications
- Lightning Fast Blackfin Internal Computer
- Quick, Hands-on Sonar Controls Keep You On the Fish, Not the Menu
- Spot fish way out in front
- Push a button for a quick reverse for a second look
- New linear display unwraps the bottom for better view of fish and bottom hardness



45 Years of Searchlight Sonar Development

for Commercial and Sport Fishing and Navigation



# New Controls for Purse Seining or Any Sonar Application

WESMAR's New control panel is designed for quick and easy operation to find fish, fast. Following a school of fish and navigating the boat have become much easier with the HD825. There are no menus to scroll when tracking the fish so your eyes stay on the fish. Changes to range, sector, bearing, and tilt are immediate because each has its own separate control. The quick reverse feature is perfect. Once fish are detected you can hit quick review and waste no time returning to the fish.



## Digital Design

### •New Digital Design

The HD825 uses the same powerful Black Fin processor as the high-end HD850 sonar. Powerful digital detection capability and digital communications without cable loss or electrical interference enhances performance. Bright, sharp target colors for detecting dispersed fish.

*WESMAR's gravity stabilization operates in both the forward scan and in down sounder mode. With long stroke option, lower the dome below bubble area for unmatched performance.*

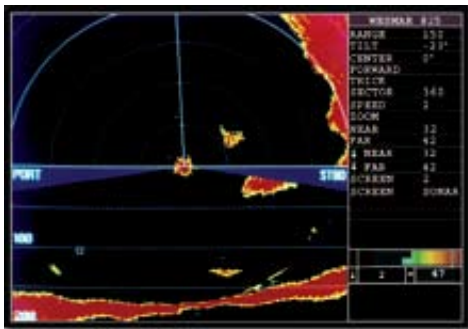


## Searchlight Advantage

No Sonar has better directivity than WESMAR engineered transducers. One hundred percent of the transducer surface area points in the direction of the fish in a sharp narrow beam. Dispersed fish and hard-to-mark fish are detected clutter-free. An Omni sonar, with a diffused beam, allows dispersed fish and fish near the bottom to go undetected.

## Split Screen Mode

More Information; Greater Clarity

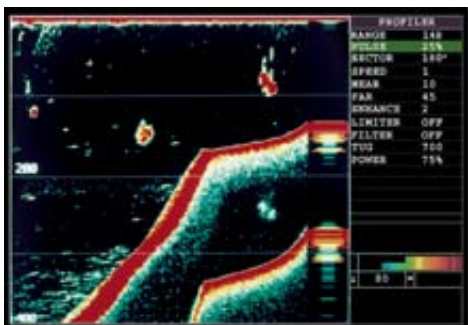


View both forward scan and profile scan on same screen.

*Split Screen, top part forward scan, lower part profile, each with separate adjustments.*

## Stabilized Down Sounder

Stays Focused on the Bottom



Full Screen Sounder for rough days when conventional sounders lose picture, the sonar transducer can be locked down for a reliable stabilized sounder picture with zoom. White line is available to distinguish fish from bottom.

# HD825 Series

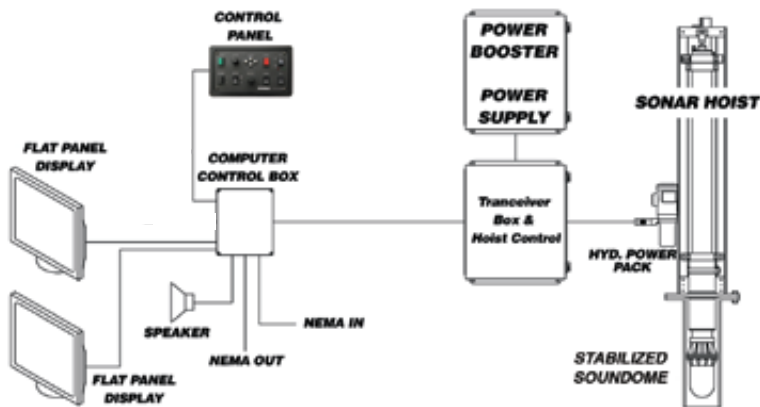
## Specifications

<b>HD825/160-6</b>	Frequency kHz Type of Hoist Hoist Height Retraction Time Soundbeam	160 kHz Lead Screw 19 inches 20 seconds 6.5°V 6.5°H	<b>HD825/60-8</b>	Frequency kHz Type of Hoist Hoist Height Retraction Time Soundbeam	60 kHz Lead Screw 22 inches 25 seconds 10°V 15°H
<b>HD825/160-6 FT</b>	Frequency kHz Type of Hoist Hoist Height Retraction Time Soundbeam	160 kHz Hydraulic 25.7 inches 3 seconds 6.5°V 6.5°H	<b>HD825/60-8 FT</b>	Frequency kHz Type of Hoist Hoist Height Retraction Time Soundbeam	60 kHz Hydraulic 33.5 inches 4 seconds 10°V 15°H
<b>HD825/110-8</b>	Frequency kHz Type of Hoist Hoist Height Retraction Time Soundbeam	110 kHz Lead Screw 22.0 inches 25 seconds 6.5°V 9°H	<b>HD825/110-10</b>	Frequency kHz Type of Hoist Hoist Height Retraction Time Soundbeam	110 kHz Hydraulic 58.3 inches 6 seconds 5°V 7°H
<b>HD825/110-8 FT</b>	Frequency kHz Type of Hoist Hoist Height Retraction Time Soundbeam	110 kHz Hydraulic 33.5 inches 4 seconds 6.5°V 9°H	<b>HD825/60-10</b>	Frequency kHz Type of Hoist Hoist Height Retraction Time Soundbeam	60 kHz Hydraulic 58.3 inches 6 seconds 8.5°V 11.0°H

### Notes:

1. A Power Booster is provided with all units.
2. All soundomes are urethane with stainless steel tops.
3. Four screens of operation: Full Screen Sonar; Split Screen Sonar/Profile; Split Screen Linear Scan/Profile; and Full Screen Sounder.

## HD825 Block Diagram



System Components include: dash mounted console and hand held controller.



**Western Marine Electronics**

4120 NE 200th Street, Woodinville, WA 98072 USA

Tel: (425) 481-2296 Fax: (425) 486-0909

www.wesmar.com dsoderberg@wesmar.com

### PRODUCT WARRANTY

Commercial warranty and consumer limited warranty, disclaimer, and remedies. Seller warrants title, materials, and workmanship on equipment, except components manufactured by others for which seller assigns, as permitted, the original manufacturer's warranty. Seller's warranty period for all applicable express or implied warranties shall be ninety (90) days after installation or one (1) year after date of shipment to the original buyer, whichever time period expires first. Nonconforming equipment reported to seller during the applicable warranty period and returned to seller at buyer's expense and risk shall be repaired, or replaced at seller's option. If seller is unable or unwilling to repair or replace such reported and returned nonconforming equipment within a reasonable time, then buyer shall be entitled to a refund of the purchase price of the equipment as buyer's sole remedy. This paragraph sets forth buyer's exclusive remedies for nonconforming goods. This commercial warranty and consumer limited warranty is in lieu of all other warranties, express or implied, including design, course of dealing, merchantability, and fitness for a particular purpose.

NOTE: LIMITATION OF SELLER'S COMMERCIAL AND CONSUMER LIABILITY. Seller shall not be liable on any claim for loss of use, revenue, or profit, for injury, or for any other incidental or consequential damages, regardless of the basis for buyer's claim(s), including, but not limited to, the law of contract, warranty, or tort. In no case shall seller's liability on any claim(s) exceed the amount paid to seller for the purchased goods.