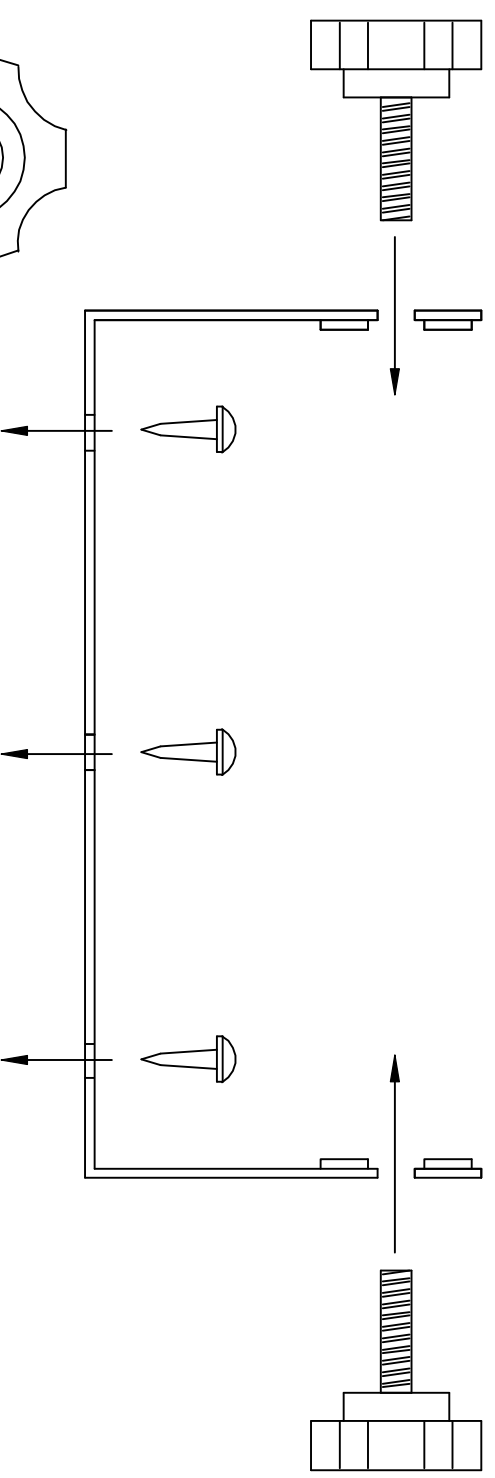
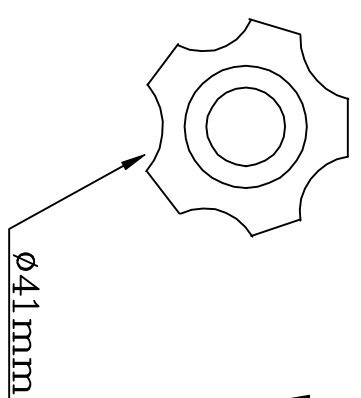
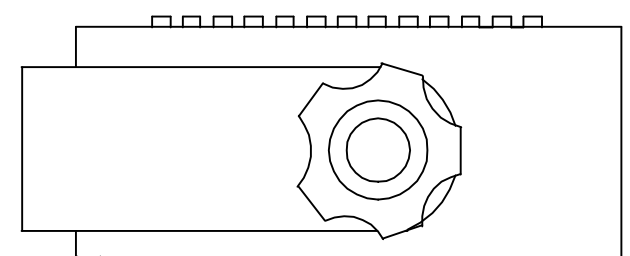
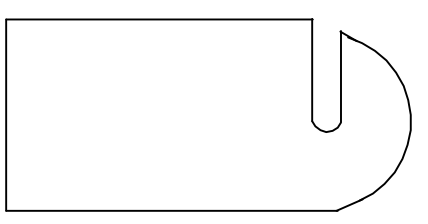
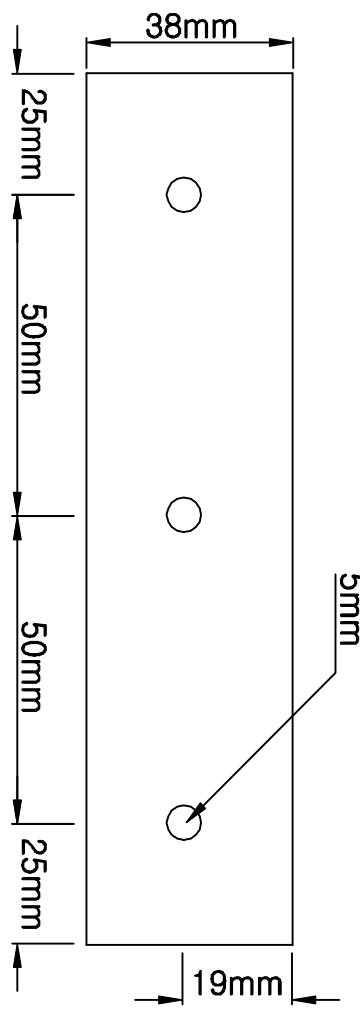
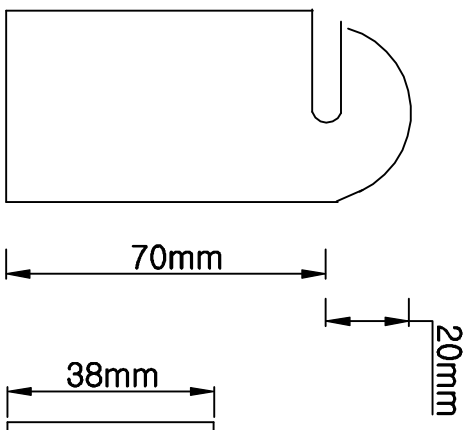
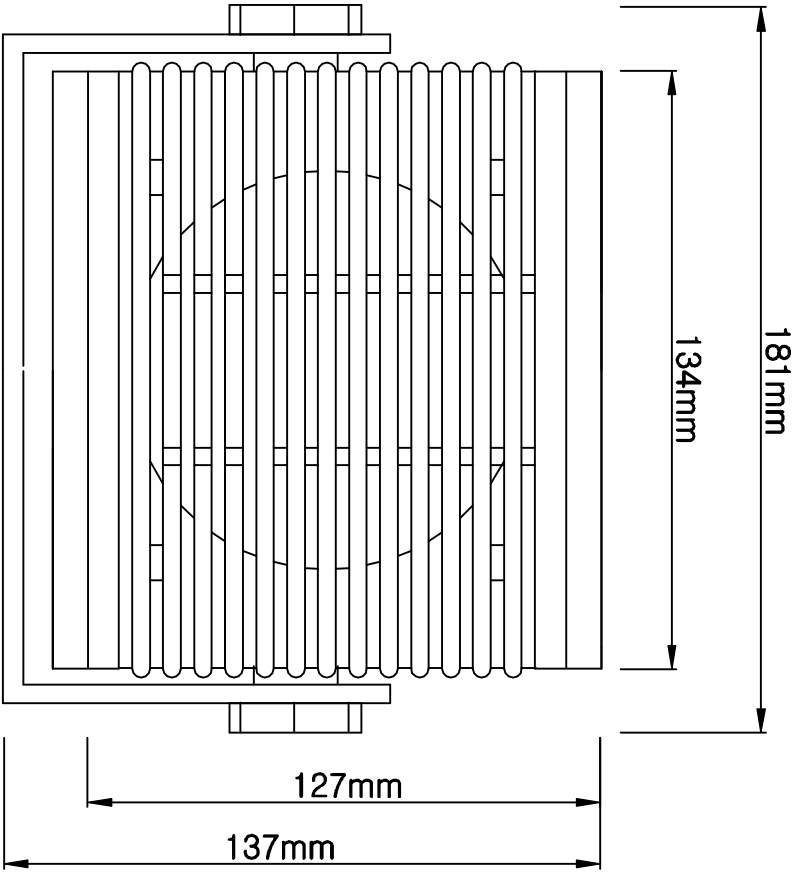


1 2 3 4 5 6 7 8 9 10 11 12 13



SS-10W4 SPEAKER OUTLINE DRAWING

SAMYUNG ENC CO.,LTD.		APPR. DATE	99.11.22	APPROVED	LIM S.-J	UNITS	mm
TITLE	SS-10W SPRKOUTLINE DRAWING	CHK. DATE	99.11.22	CHECKED	CHOI.W.G	SCALE	/
DWG. NO	00013140	VER	02	DESIGNED	CHOI.W.G	MATERIAL	/
FILE	SS-10W8.DWG	REV. DATE	01.03.29	REVISION	CHOI.W.G	DWG. SIZE	A4