

# DESK TYPE (150W/250W) MF/HF DSC, NBDP RADIO EQUIPMENT

Compliant with GMDSS Requirement



**NEW PRODUCT**

Adopt NBDP terminal(10.4" LCD screen), display frequency double on the LCD screen to read information efficiently

## NBDP OPTION



**SRG-1150DN / SRG-1250DN**



**SAMYUNG ENC Co.,Ltd.**

150W · 250W

# MF/HF RADIO EQUIPMENT

MODEL : SRG-1150DN(150W)/1250DN(250W)

SRG-1150DN/1250DN(DSC, NBDP) MF/HF Radio Equipment, which is designed and developed for medium and long range communications, fully complied with all the requirements of GMDSS that can be installed on both IMO and non-IMO vessel. SRG-1150DN/1250DN(DSC, NBDP), which is integrated with DSC unit, Direct Digital Synthesizer(DDS) and Noise Blanking Circuit, enables reliable communications and also ease of installation owing to compact and light weight with NBDP function.

## FEATURES

- ▶ Compliant with ITU, IMO and GMDSS
- ▶ Compact & transmitter-receiver with a built-in DSC
- ▶ Easy to read information with large LCD(10.4) for NBDP terminal
- ▶ Easy to read Rx & Tx frequency at a time
- ▶ Available scanning variability of transmitter output, frequency & channel
- ▶ High stability for frequency with 10Hz Step Synthesizer
- ▶ Built-in alarm signal(2182KHz)
- ▶ Storing up to 100 transmitted message(editable)
- ▶ Storing up to 100 received message (every 50 messages for distress and ordinary)
- ▶ Self-diagnosis function for easy maintenance

## SPECIFICATIONS

### GENERAL

- Frequency range : TX : 1.6~27.5 MHz (10Hz STEP)  
RX : 500KHz~29.9999MHz (10Hz STEP)
- TX/RX channel : ITU channel, 300 memory channel
- Frequency tolerance : Within 10HZ
- Type of emission : J3E, H3 E, F1B
- Operation : Simplex & Semi-du plex
- Ambient temperature & Humidity : -15℃~+55℃, 9 5%
- Power supply : DC24V±15% (2.5A at Reception, 15A at Transmission /SRG-1150DN)  
(2.5A at Reception, 25A at Tansmission /SRG-1250DN)

- Modulation speed : 100 BAUD (ARQ, FEC MODE)
- Type of modulation : AFSK
- Frequency tolerance : Within 0.5Hz

### OPTION(NBDP)

- NBDP TERMINAL (SN-100)
- PRINTER (DPU-414, OKI)
- KEY BOARD (SPR-8630)

### TRANSMITTER

- Type of emission and output : J3E(150W), F1B(100W), H3E(75W):SRG-1150DN  
J3E(250W), F1B(150W), H3E(75W):SRG-1250DN
- Modulation : Low level balanced
- Occupied bandwidth : Within J3E(3KHz), F1B(0.5KHz)
- Two-tone distress signal : 1300, 2100Hz

### RECEIVER

- Sensitivity : J3E 3uV, F1B 3uV, H3E 6uV, S/N 20dB 100m/w
- Intermediate frequency : 49.455MHz, 455KHz
- Overall distortion and noise : More than 20dB
- Input impedance : 50Ω

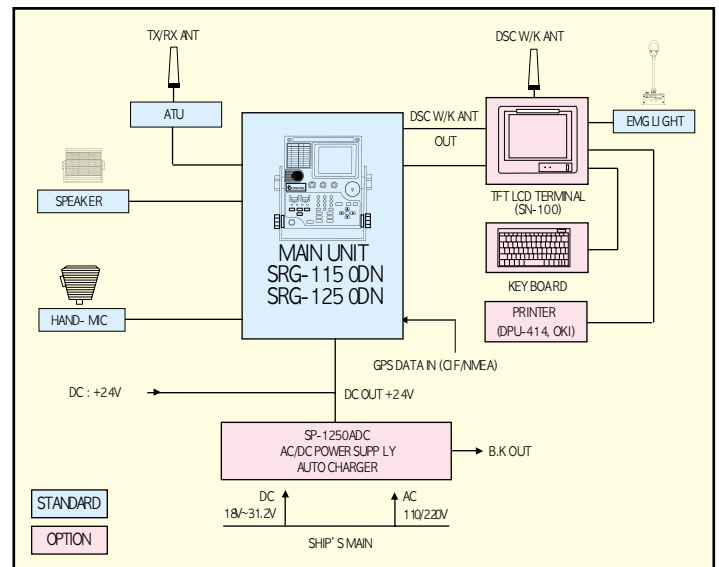
### DSC WATCH KEEPING RECEIVER

- Frequency : 2187.5, 4207.5, 6312, 8414.5, 12577, 16804.5KHz
- Type of emission : F1B
- Frequency shift keying : 1700±85Hz (Mark: 1615Hz, Space: 1785Hz)
- Data transfer speed: 100 baud
- Frequency tolerance : 10Hz

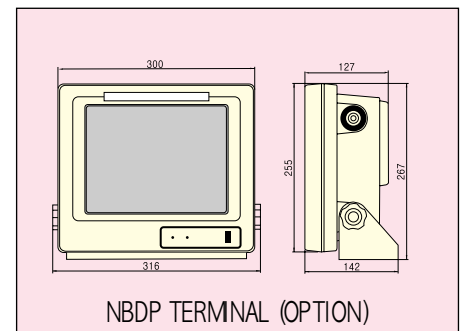
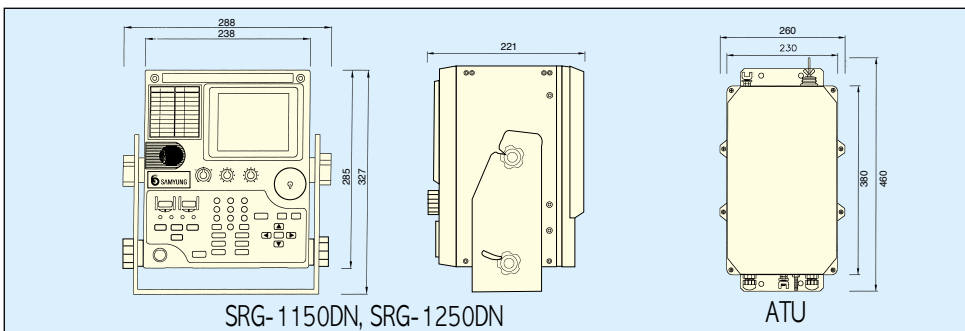
### NBDP

- Protocol : 625, 476-4, 490, 491, 492-3 & F130 by CCIR
- Communication mode : ARQ, CFEC, SFEC
- Memory : 16M
- Middle range of frequency : 1700 Hz

## CONFIGURATION



## DIMENSIONS



Head Office : 1123-17, Dongsam- Dong, Youngdo-Gu ,  
Busan, Korea, 606-083  
Tel: 82-51-601-6666(Rep.) Fax: 82-51-412-6616  
Marketing & Service : 65-20, 2-Ga Namhang- Dong,  
Yungdo - Gu, Busan, Korea , 606-032  
Tel: 82-51-601-5530(Rep.) Fax: 82-51-413-4446  
Http : //www.samyungenc.com



KS Q ISO 9001:2015  
SMI-2216Q



KAB-QC-42