

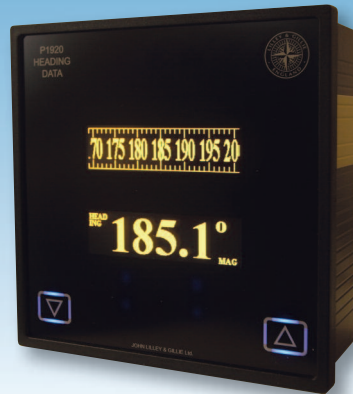


Mk2020S

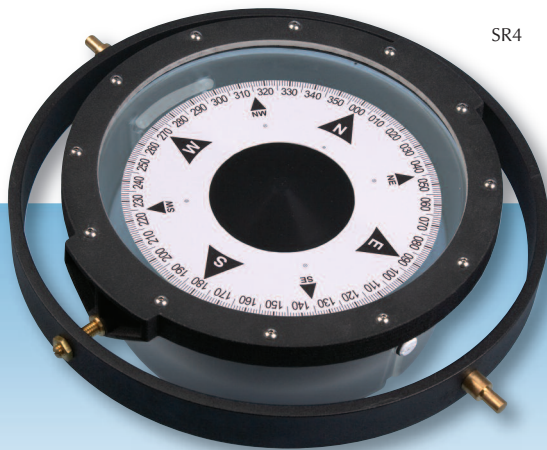
Magnetic Compass Outfit

For commercial vessels over 150GRT, fishing vessels over 35m and naval vessels with or without DG correction

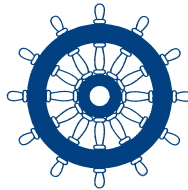
Suitable for use with Lilley & Gillie (and other) Transmitting Magnetic Compass (TMC) equipment to operate repeaters, off-course alarms and outputs to navigation equipment including gyro back up



P1920 Steering Repeater (Option)



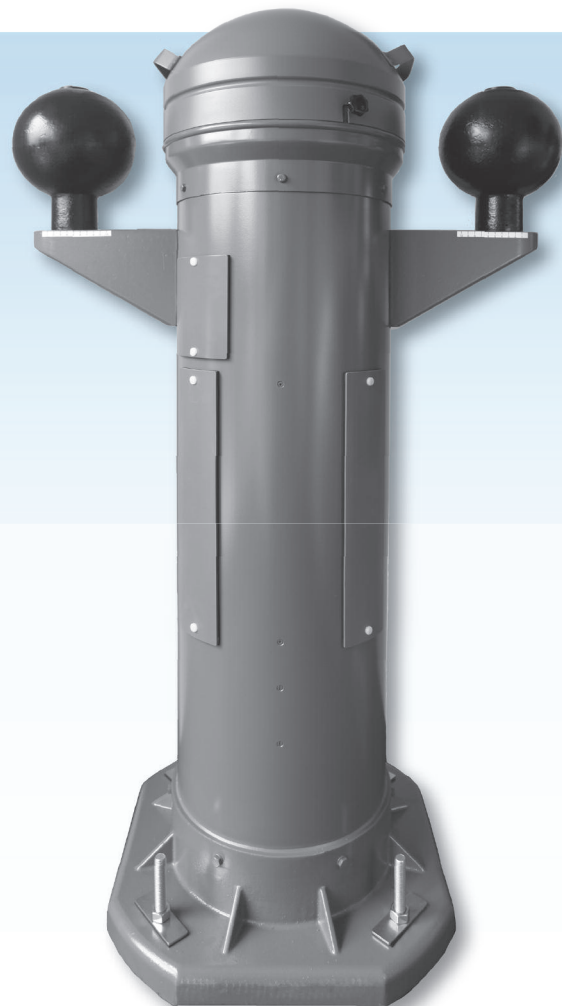
NSN 660-599-226-1091



Type approved to the European Marine Equipment Directive (MED), Chinese Classification Society and other Maritime Authorities

Design Features

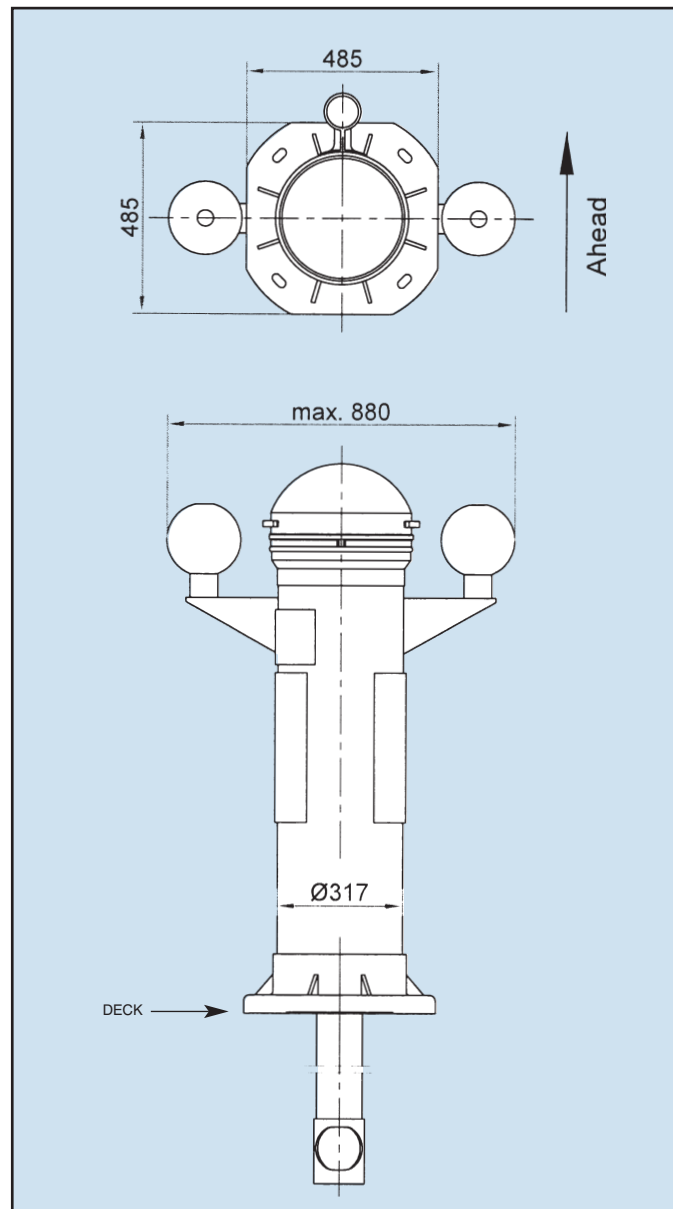
- Reduced shipyard installation work
- Improved watertightness around deck/periscope area
- Simple periscope assembly installation and removal
- Low voltage lighting within the binnacle
- Mounting arrangements for various TMC sensors



Lilley & Gillie Mk2020S Magnetic Compass Outfit

The compass outfit is available in Reflector, Non-Reflector and Naval (DG Correction) versions with the following features.

Material	Aluminium binnacle.	
Correction	A full set of compensating magnets for B, C and H plus adequate quadrantal corrector and flinders plates.	
Periscope	Telescopic with a maximum vertical length of two metres.	
Fixings	Four S/S M16x70 mounting bolts, nuts and washers.	
Lighting	Two 24vdc 15w lamps and one spare fitted within the binnacle. Control of lamps, dimmer and power supply by the FW9862 Control Unit. A two position dimmer switch is also fitted within the binnacle for local control.	
Compass	Lilley & Gillie 'SR4', Class A, 175mm Reflector Card.	
Weights	Reflector Binnacle	71kg
	'SR4' Compass	6.5kg
	Lighting Control Unit	0.62kg
	Azimuth in box	1.45kg
Colour	Binnacle, Dark Admiralty Grey. (Others available) Periscope Assembly, Black. Lighting Control Unit, Black with white lettering.	



In accordance with our policy of continuous development, changes may be made from time to time without prior notice.



Manufacturer of magnetic compasses, TMC's and nautical instruments. Adjusting, testing and repair of magnetic compasses by certificated compass adjusters.



Manufacture of type approved navigation and data instrumentation for commercial vessels.



Manufacture of military grade instrumentation systems for naval and paramilitary vessels.



Sound signalling and detection systems



Distribution of lighting products including navigation lights, navigation light switch panels and searchlights.



UK sales and service of Yokogawa gyros, autopilots and logs.



John Lilley & Gillie Ltd.,
Tel: +44(0)191 270 4260
E-Mail: sales@jlgmarine.com
Web: www.jlgmarine.com

LILLEY & GILLIE
EQUIPMENT

Directing International Shipping since 1812