



Compliant with GMDSS Requirement

# NAVTEX RECEIVER



## SNX-200



**SAMYUNG ENC Co.,Ltd.**

# NAVTEX RECEIVER

MODEL : SNX-200

## SPECIFICATIONS

### GENERAL

- Temperature :  $-15^{\circ}\text{C}$  to  $+55^{\circ}\text{C}$
- Humidity : 0 ~ 95%
- Power supply : DC 10 ~ 30V / AC 110 ~ 220V  $\pm 10\%$  ,
- Power consumption : 2.5W or less
- Size : 240W  $\times$  168H  $\times$  126D(mm)
- Weight : 2.5Kg

### RECEIVER

- Receiving frequency : 518KHz(English), 490KHz(Korean)
- Receiving method : F1B NAVTEX broadcast
- Receiving sensitivity : within  $2\mu\text{V}$
- Frequency accuracy :  $\pm 10\text{Hz}$
- Antenna impedance :  $50\Omega$

### PROCESSOR

- Receiving signal : 7-unit SITOP code and NAVTEX decoding in accordance with CCIR Rec. 476-3, 625 B-mode and 540-1

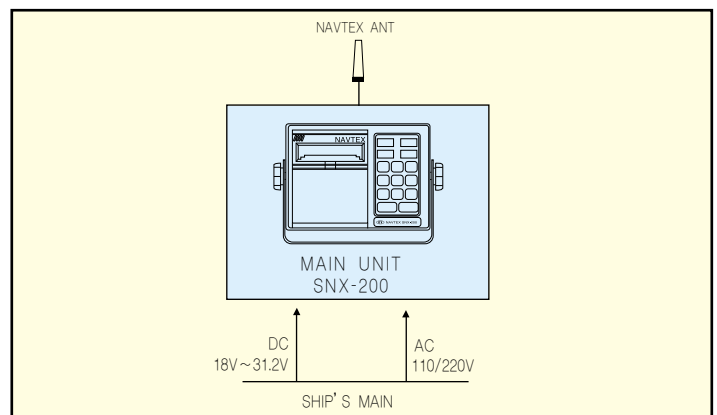
### PRINTER

- Print method : English - 40 characters, Korean-20 characters
- Character size :  $7\times 7$  matrix (English)  
 $14\times 14$  matrix (Korean)

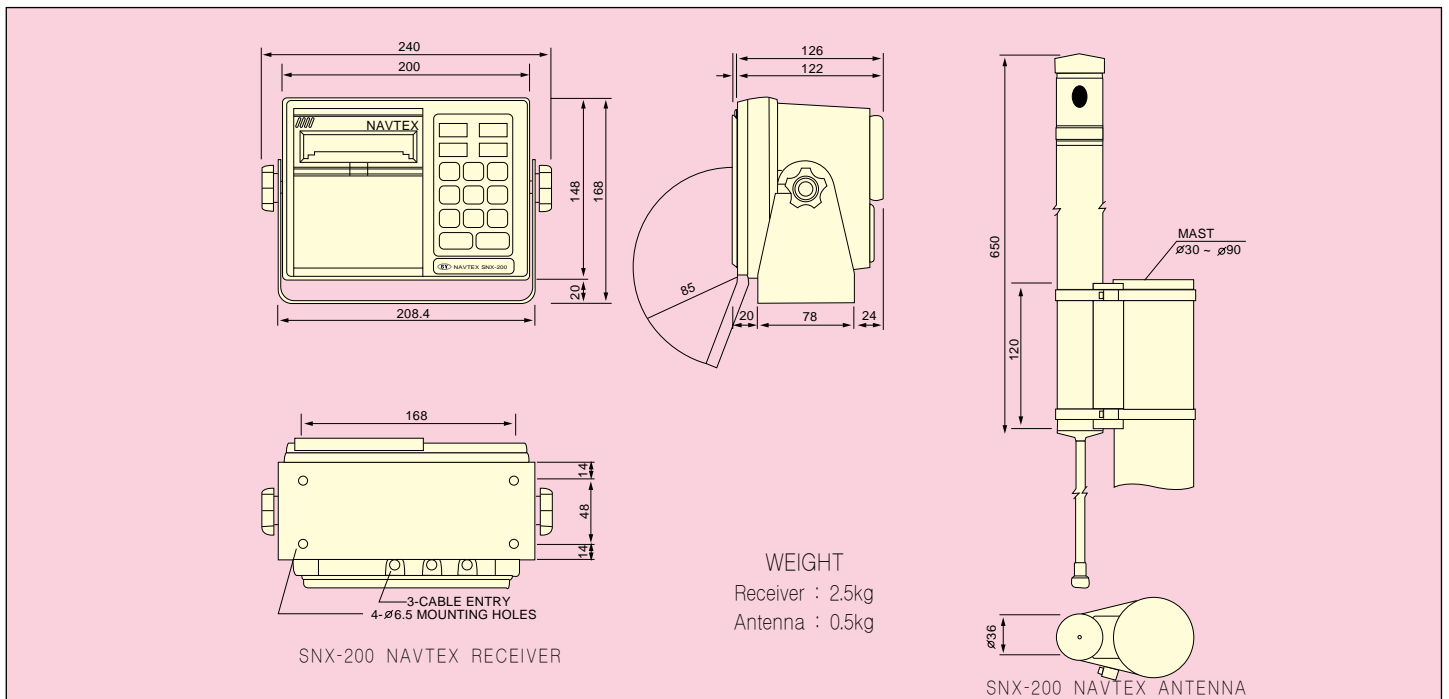
### CONTROLLER

- Programming : AREA, MESSAGE
- Receiving frequency selection : 518KHz, / 490KHz auto scan  
518KHz only, 490KHz only
- Adjusting clarity
- Self-test function
- Alarm function : Receiving Emergency message or Paper out
- Paper feed function

## CONFIGURATION



## DIMENSIONS



 **SAMYUNG ENC Co., Ltd.**

Head Office : 1123-17, Dongsam-Dong, Youngdo-Gu, Busan, 606-083, Korea  
Tel : 82-51-601-6666(Rep.) Fax : 82-51-412-6616  
Marketing & Service : 65-20, 2-Ga Namhang-Dong, Yungdo-Gu, Busan, 606-032, Korea  
Tel : 82-51-601-5530(Rep.) Fax : 82-51-413-4446  
Http : //www.samyungenc.com



ISO 9002 / KS A 9002  
Certificate No. : QSC92073

