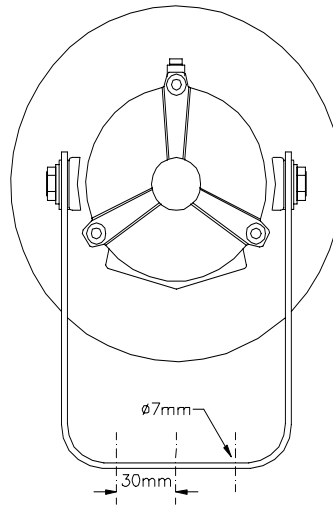
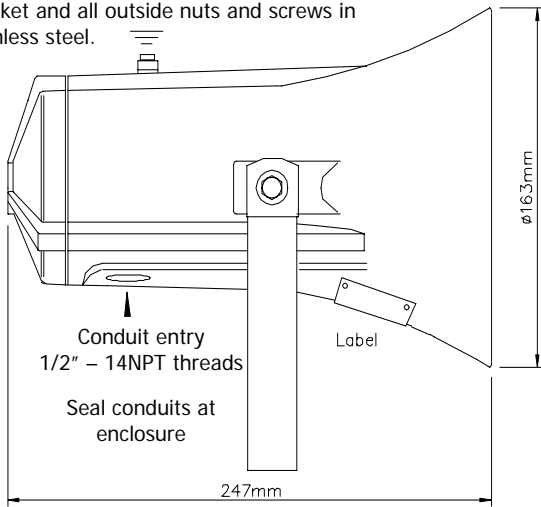




ISO 9001 CERTIFIED

Bracket and all outside nuts and screws in stainless steel.



Transformer:
100 V line (optional 70V, 50V)

Primary nominal tapings:

1 : 2	15,0 W
2 : 3	7,5 W
3 : 4	4,0 W
1 : 3	2,7 W
2 : 4	1,3 W
1 : 4	0,8 W

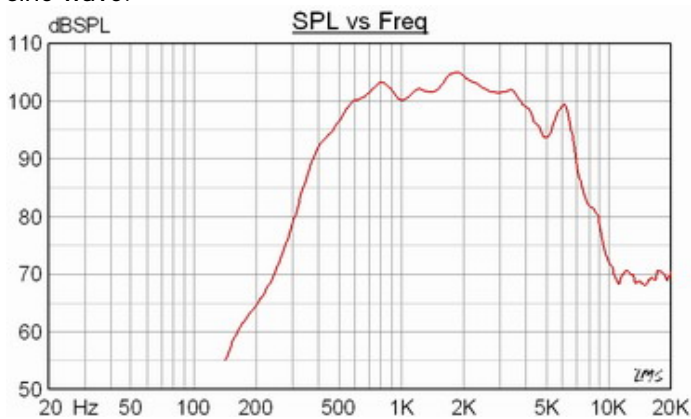
1 = Red, 2 = Yellow
3 = Green, 4 = Blue

Certified by / Certification code: Factory Mutual approved – Class I, Div. 1, Groups B, C and D (Not including acidic atmospheres)



APPROVED

Sound pressure levels at different frequencies at 1W/1m sine wave.



Material / ColorAluminum alloy SS4263 / RAL 7031
 MountingBracket
 TerminationScrew terminals
 Weight w/ transformer2,8 kg
 IP-rating (UL equivalent)(4X & 6) 67
 Max / min amb temp40 °C / -20 °C
 Rated / max power15 W / 15 W
 SPL 1W/1m.....105 dB
 SPL rated power116 dB
 Effective freq range.....410 – 7000 Hz
 Dispersion (-6dB) 1kHz / 4kHz140° / 40°
 Directivity factor, Q (1 kHz)2,6
 OptionsImpedances, colors, labels

Installation, Operation and Maintenance Procedures

- When mounting the loudspeaker please ensure that it is re-assembled in the same manner in which it was received.
- To change the position of the loudspeaker, please adjust the bracket (by loosening / tightening the screws) as required.
- For optimum performance, always use the correct voltage / power and operate within the frequency limits as stated.
- Use only certified/specified cable glands and blanking plugs.
- Do not open loudspeaker when energized.
- The loudspeaker should be checked on a regular basis to avoid any build up of debris.
- The aluminum surface of the loudspeaker should be regularly treated with paint at the same interval as with other similar outdoor equipment.
- Fasten lid with a torque of 2 - 3 Nm.
- If the Ex-loudspeaker is to be earthed, it must be done correctly using the specially marked screws.
- This loudspeaker is supplied with a 2 year warranty against defective workmanship.

