



FT-805 Class-A VHF DSC Marine Transceiver

CHINA CLASSIFICATION SOCIETY (CCS) : FZ09T00001_01

REGISTER OF FISHING VESSEL OF P.R.C. : C00000800102

GMDSS



- Product Features -

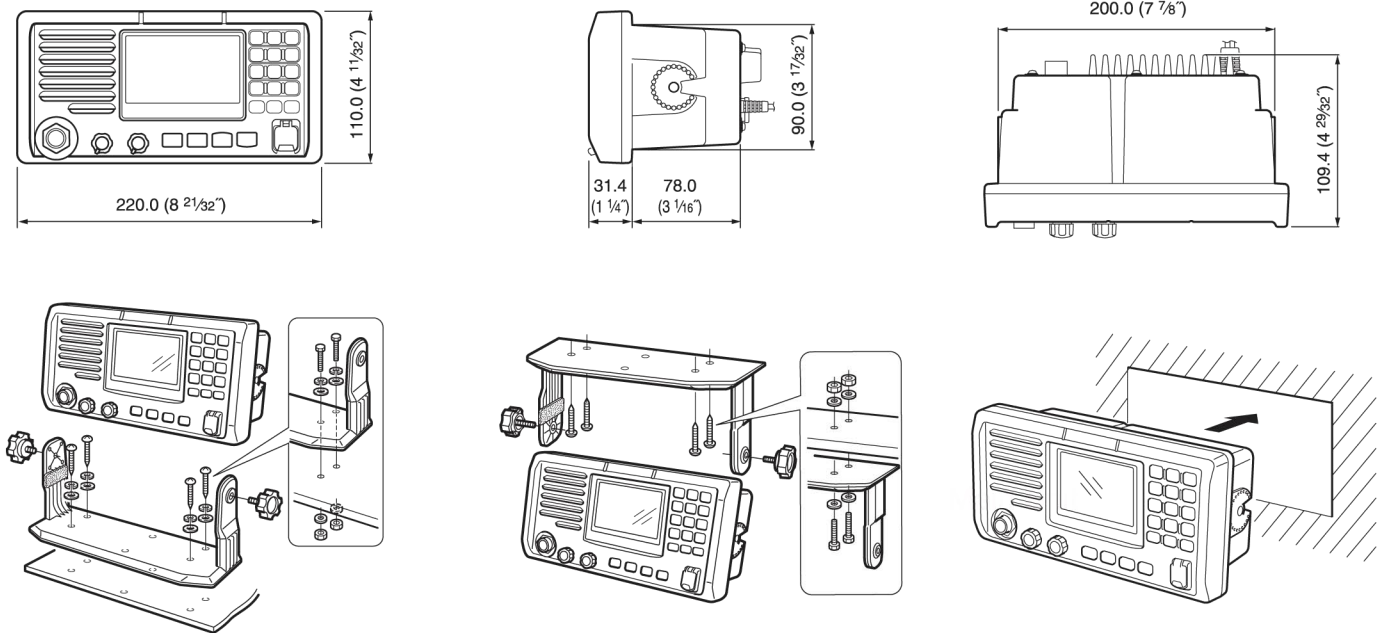
- Comply with IMO.A.803(19) resolution & ITU -R A.694(17) resolution.
- All U.S. , International and canadian , 10 weather channel.
- Automatically record incoming messages.
- DSC System (DSC 70 channel watch).
- Collision avoidance alarm display.
- Received signal strength indication.
- FM (88-108MHZ) radio receiver.
- Extend speaker louder function.
- User-program channel group.
- Dual-watch.
- Tri-watch.
- Priority scan.
- Navigation function.
- 64 waypoints stored.
- Timing alarm clock.



FT-805 Class A VHF DSC Marine Transceiver



Dimensions



Technical Specification

Receiver Specifications

Reference Sensitivity	: $\leq 0.25\mu\text{V}$ (12dB SINAD)
Squelch Sensitivity	: $\leq 0.15\mu\text{V}$
Modulation Receiver Bandwidth	: $\geq 2 \times 5\text{KHz}$
Deep Squelch Blocking Threshold	: $\geq 5\text{KHz}$
Adjacent Channel Selectivity	: $\geq 65\text{dB}$
Intermodulation Rejection Ratio	: $\geq 58\text{dB}$
Spurious Response	: $\geq 65\text{dB}$
Audio Output Power	: $\geq 2\text{W}$ (8 Ω)
Audio Distortion	: $\leq 7\%$
GPS Output Format	: NMEA0183(2.0 or 3.01)

Overall Specifications

Frequency Range	: Transmitter : 156.025-157.425MHz Receiver : 156.025-163.275MHz
Modulation Method	: FM(16K0G3E)DSC(16K0G2B)
Receiving System	: Double conversion superheterodyne
Frequency Stability	: $\pm 10\text{ppm}$ (-20°C+60°C)
Power Supply Voltage	: DC13.8V($\pm 15\%$)
Antenna Impedance	: 50 Ω
Output Impedance	: (Audio)8 Ω
Input Impedance	: (Microphone)2K Ω
Dimensions	: W(220) \times H(110) \times D(109) mm
Weight	: 1350g($\pm 2\%$)

Transmitter Specifications

Output Power	: 25W / 1W
Modulation Limit	: $\leq \pm 5\text{KHz}$
Modulation Sensitivity	: 17mV $\pm 10\text{mV}$
Adjacent Channel Selectivity	: $\geq 70\text{dB}$
Spurious Emissions	: $\leq -53\text{dB}$
Residual Modulation	: $\geq 40\text{dB}$
Tx Current Consumption	: High power $\leq 6.0\text{A}$, Low power $\leq 1.5\text{A}$ (DC13.8V)

Standard Parts :

■ Microphone	FT-805
■ Speaker	FT-100/SP-5W
■ Antenna	156MHz VHF
■ 10m Cable	FT-SYV

Note: Specifications are subject to be changed without notice.

Manufacturer :

Shishi Feitong Communication Equipment Co., Ltd.

Address : Fujian Shishi City Yong Ning Zhen Faith Toward
Development Zone's Floor

TEL : 0595-88481988 88480988 88499888

FAX : 0595-88482988 <http://www.cnft168.com>

Worldwide Sole Distributor & Agent (Exclude Mainland) :

E-Trust Marine Service Co., Ltd.

Address : 19F-1, No.29, Hai Bian Rd., Ling Ya
District, Kaohsiung City 80248, Taiwan

TEL : +886-7-269-5523 FAX : +886-7-269-5592

<http://www.etrust-marine.com>

E-mail: james.etrust@msa.hinet.net